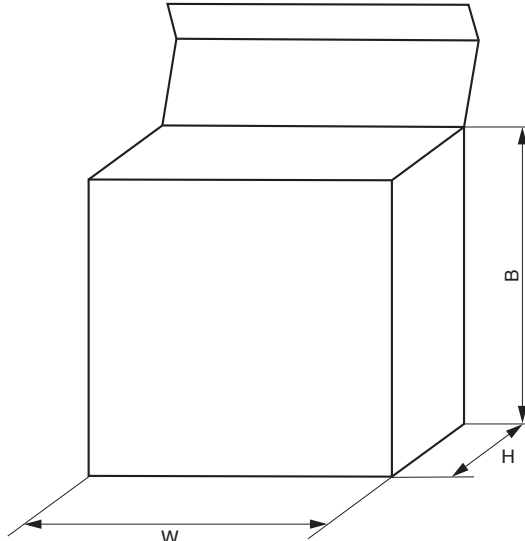


◆Packaging

		B o x		
Configuration				
	Dimensions (mm)	TFA, TBA (T15, T25) 5V, 7V, 9V, 9H	TEA, TFA, TAA, TBA (T1, T15, T2, T25) 10V, 12V, 14V, 12H, 15H	TFB, TBB, TLB (T8, T7, T71) 10V, 12V, 10SV, 12SV, 14SV
	W	325±5	330±5	340 max.
	H	47±3	57±3	65 max.
	B	280±10	315±10	360 max.

◆Others

- 1) On the box or the reel, the following are noted.
 1. Part number
 2. Lot number
 3. Quantity
 4. Country of origin
- 2) Minimum order quantity shall be the packaging quantity per one box one reel.



Minimum Packaging Quantity

Please order by units of minimum packaging quantity.

◆Disk Type

Series	Type	Varistor Voltage Range (V)	Taping Type		Bulk Type	
			Feed hole pitch (mm)	(pcs)	Straight Lead (pcs/bag)	Formed/Cut Lead (pcs/bag)
V	5V, 7V	15 to 270	12.7	1,500	3,000	5,000
		330 to 620	12.7	1,000	3,000	5,000
	9V	15 to 270	12.7	1,500	2,000	5,000
		330 to 620	12.7	1,000	2,000	5,000
	10V	18 to 270	12.7	800	1,500	2,500
			15.0	1,000		
		330 to 390	12.7	500	1,500	2,500
			15.0	1,000		
		430 to 620	12.7	500	1,000	2,500
			15.0	1,000		
		680 to 750	-	-	1,000	2,500
		820 to 1000	-	-	1,000	2,000
	1100 to 1800	-	-	500	1,000	
	12V	430 to 620	12.7	500	1,000	2,500
			15.0	1,000		
		680 to 750	-	-	1,000	2,500
		820 to 1000	-	-	1,000	2,000
	1100 to 1800	-	-	500	500	
		-	-	-	-	
	14V	18 to 270	12.7	800	1,500	2,000
			15.0	1,000		
		330 to 390	12.7	500	1,500	2,000
			15.0	1,000		
		430 to 620	12.7	500	1,000	2,000
			15.0	1,000		
		680 to 750	-	-	1,000	2,000
		820 to 1000	-	-	1,000	1,500
	1100 to 1200	-	-	500	500	
	1500 to 1800	-	-	500	500	
	20V	18 to 430	-	-	700	1,000
470 to 620		-	-	500	1,000	
680 to 1100		-	-	500	500	
1200		-	-	500	500	
1500 to 1800		-	-	200	500	
SV	10SV	220 to 680	15.0	500	-	-
		750 to 1000	-	-	1000	-
	12SV	430 to 680	15.0	500	-	-
		750 to 1000	-	-	1000	-
	14SV	220 to 680	15.0	300	-	-
		750 to 1000	-	-	1000	-
	20SV	220 to 390	-	-	700	700
		430 to 1000	-	-	500	500
SV (22 to 68V)	5SV	22 to 68	12.7	1,500	-	-
	7SV	22 to 68	12.7	1,500	-	-
	10SV	22 to 68	12.7	800	-	-
	14SV	22 to 68	12.7	800	-	-
	20SV	22 to 68	-	-	700	700
H	9H	22 to 47	12.7	1,500	3,000	5,000
	12H	22 to 47	12.7	800	1,500	2,500
	15H	22 to 47	12.7	800	1,500	2,000
	23H	22 to 47	-	-	700	1,000
GF	15GF	All Voltage range	-	-	800	-
	23GF	270 to 470	-	-	500	-
820		-	-	400	-	