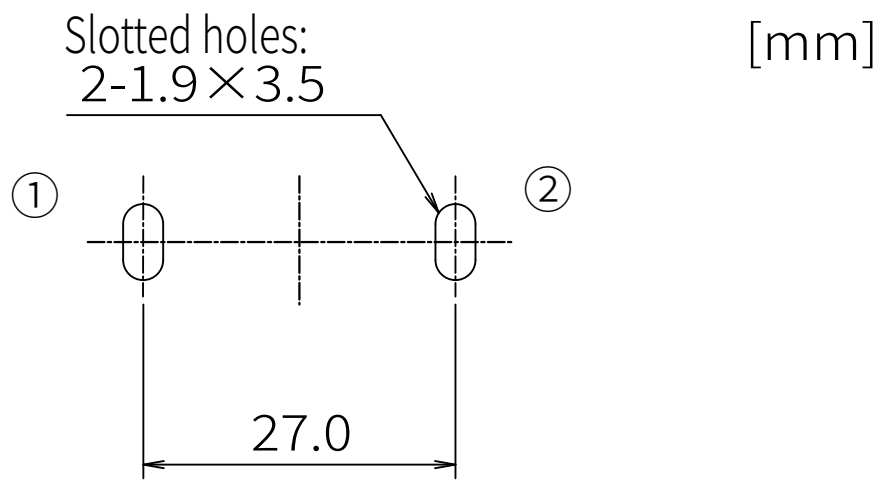


PC board pin-out

Item: LHDM015301DZBV0E

Normal Mode Choke Coil



Wire: $\phi 1.3$ -2P

Wiring Diagram

