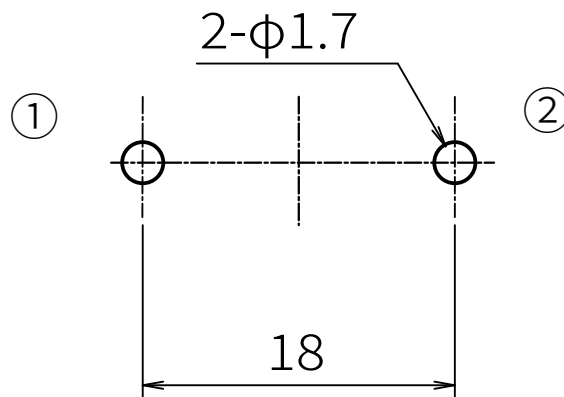


PC board pin-out

Item:LHDM005571CYFV0E

Normal Mode Choke Coil

[mm]



Wire: φ1.1-1P

Wiring Diagram

