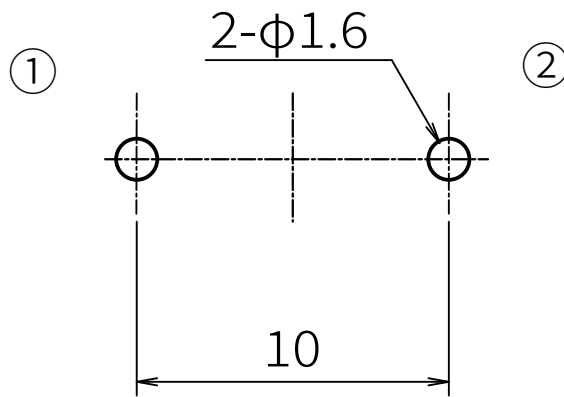


PC board pin-out

Item: LHDM005570CQFV0E

Normal Mode Choke Coil

[mm]



Wire: φ1.0-1P

Wiring Diagram

