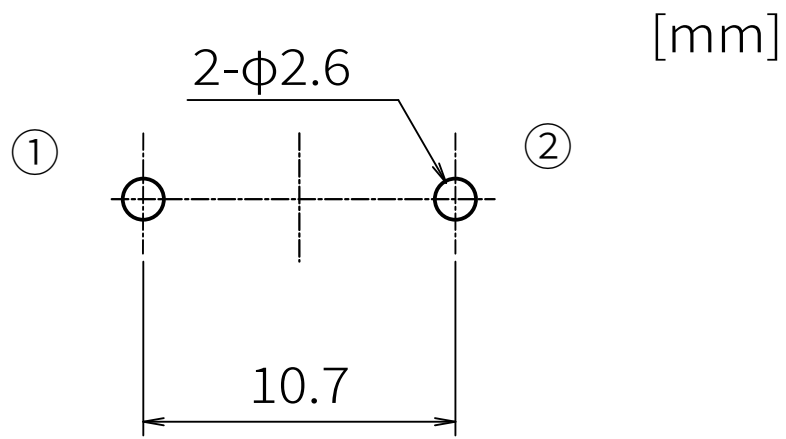


# PC board pin-out

Item:LESM030020P7DV0E

Normal Mode Choke Coil



Wire:  $\phi 2.0$ -1P

## Wiring Diagram

