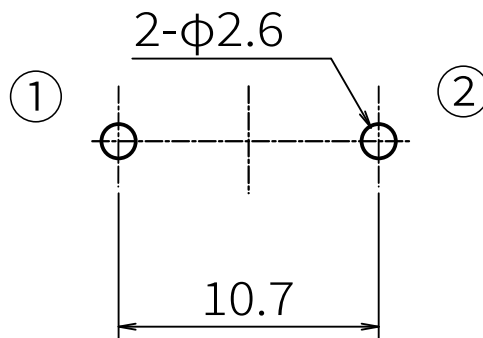


# PC board pin-out

Item:LESM0103R5P1FV0E

Normal Mode Choke Coil

[mm]



Wire:  $\phi 2.0-1P$

## Wiring Diagram

