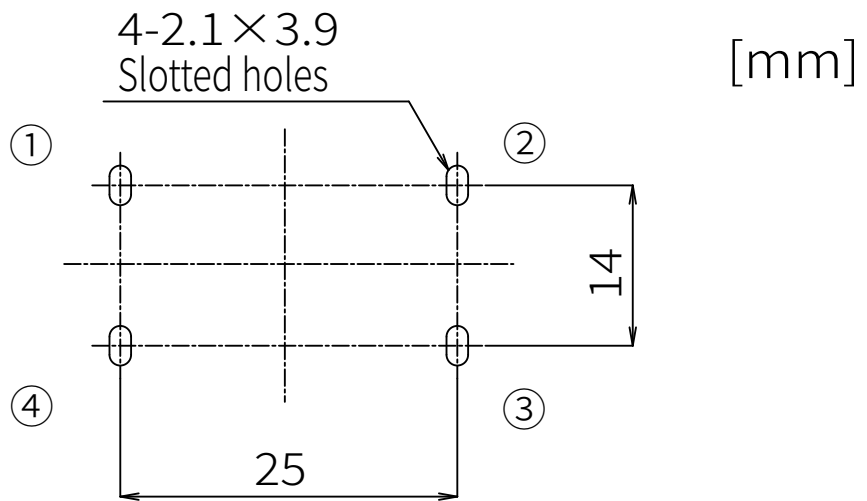


PC board pin-out

Item:LDFW026152YBUV0E

Common mode Choke Coil (Single Phase)



Wire: $\phi 1.5$ -2P

Wiring Diagram

