

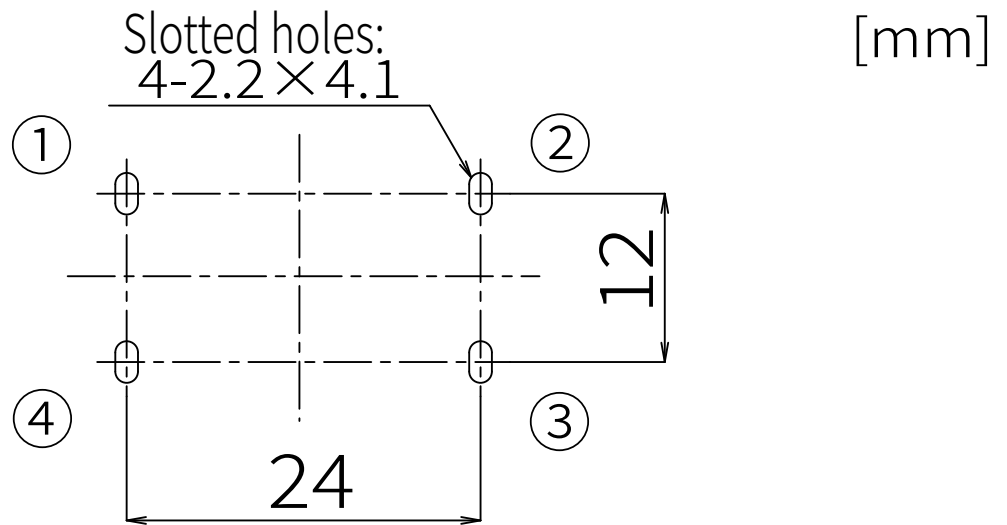


No.U21H100002-74

PC board pin-out

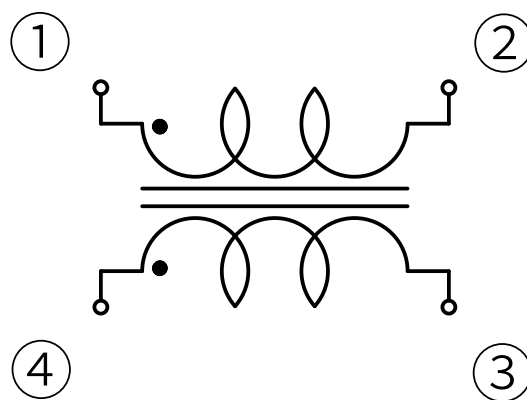
Item:LDFW025232Y22V0E

Common mode Choke Coil (Single Phase)



Wire: $\phi 1.6$ -2P

Wiring Diagram



NIPPON CHEMI-CON CORPORATION