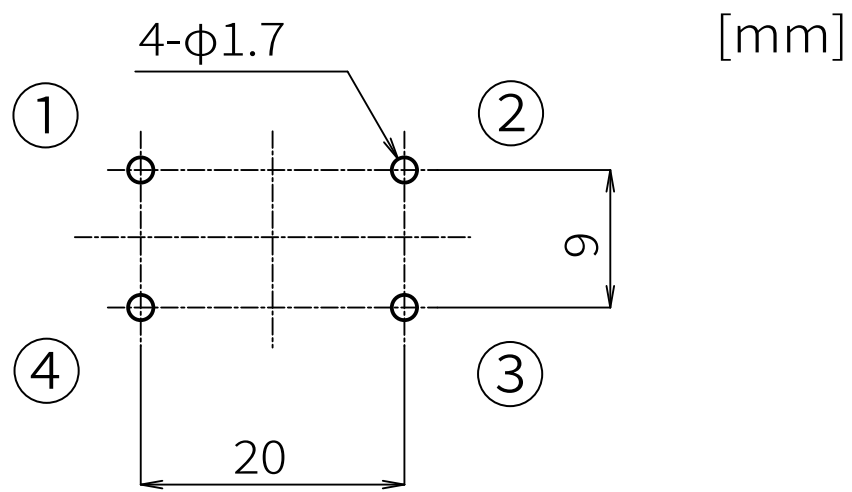


## PC board pin-out

Item:LDFW008123YV-V0E

Common mode Choke Coil (Single Phase)



Wire: φ1.1-1P

## Wiring Diagram

