

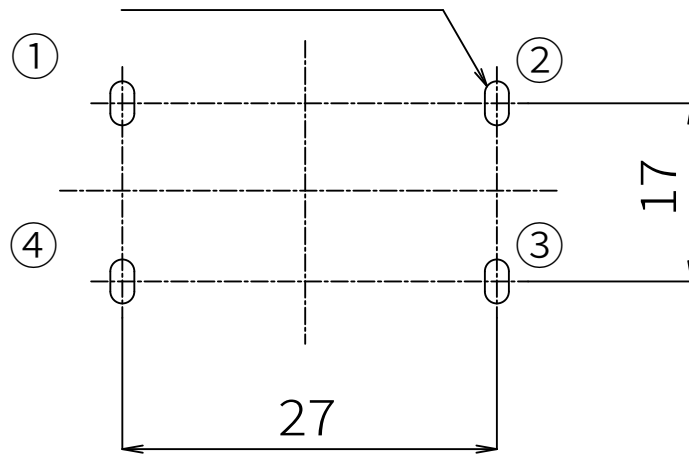
PC board pin-out

Item:LDFL039172VJUV0E

Common mode Choke Coil (Single Phase)

Slotted holes:
4-2.6 × 4.9

[mm]



Wire: $\phi 2.0$ -2P

Wiring Diagram

