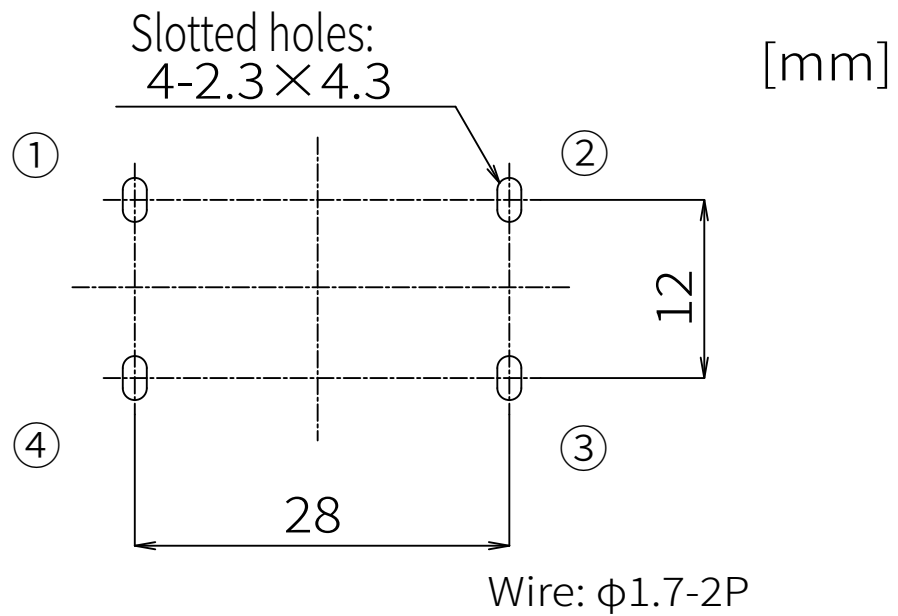


# PC board pin-out

Item:LDFL030202LJ-V0E

Common mode Choke Coil (Single Phase)



## Wiring Diagram

