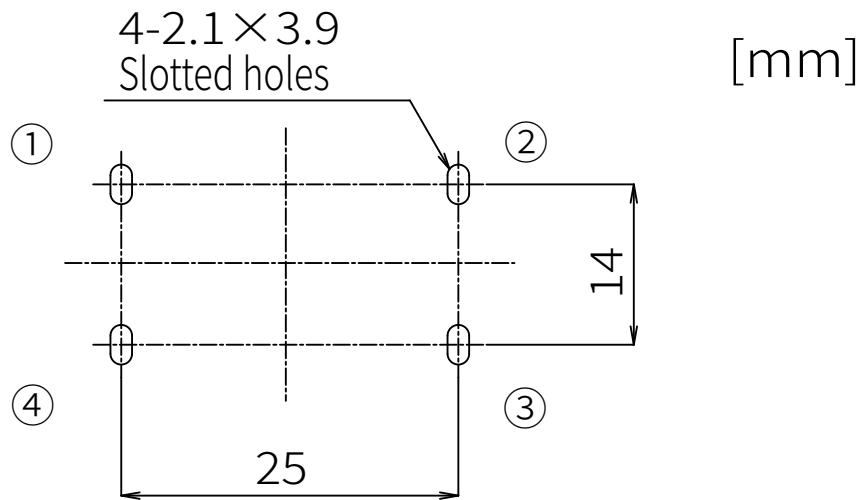


PC board pin-out

Item:LDFL026152VBUV0E

Common mode Choke Coil (Single Phase)



Wire: $\phi 1.5-2P$

Wiring Diagram

