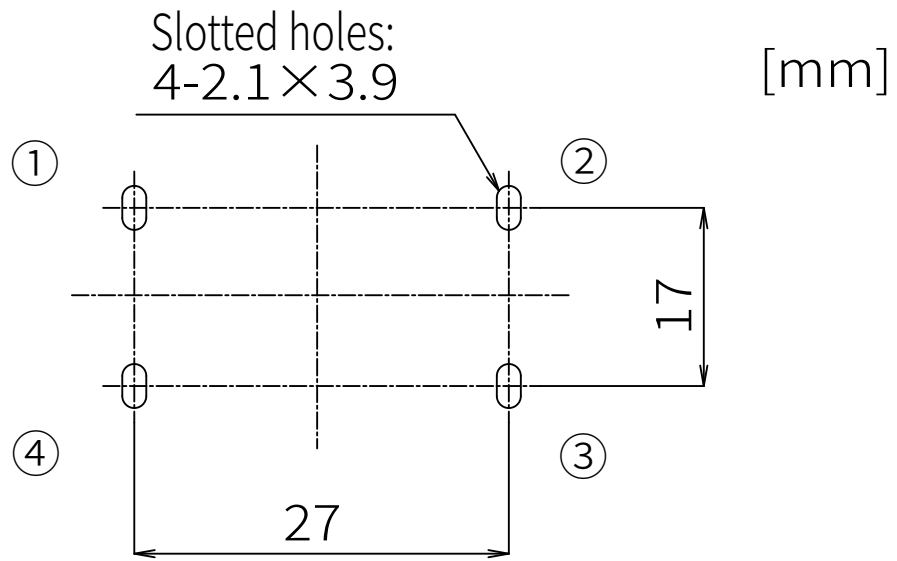


PC board pin-out

Item:LDFL020592VJUV0E

Common mode Choke Coil (Single Phase)



Wire: ϕ 1.5-2P

Wiring Diagram

