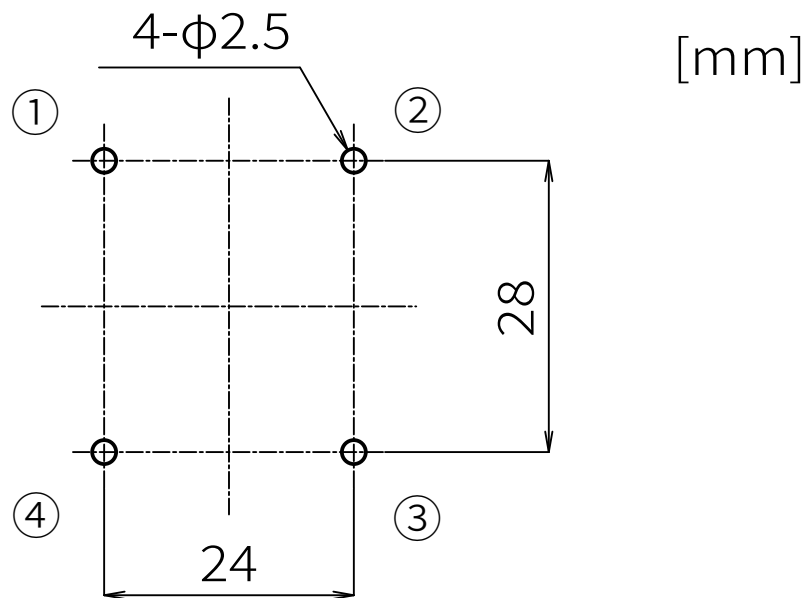


PC board pin-out

Item:LDFL015132LBUB0E

Common mode Choke Coil (Single Phase)



Wire: ϕ 1.9-1P

Wiring Diagram

