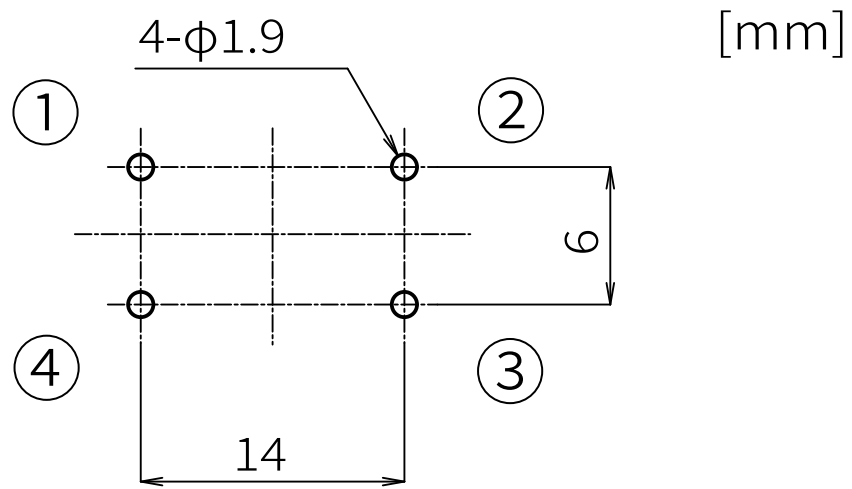


## PC board pin-out

Item:LDFL012282VD-V0E

Common mode Choke Coil (Single Phase)



Wire:  $\phi$ 1.3-1P

## Wiring Diagram

