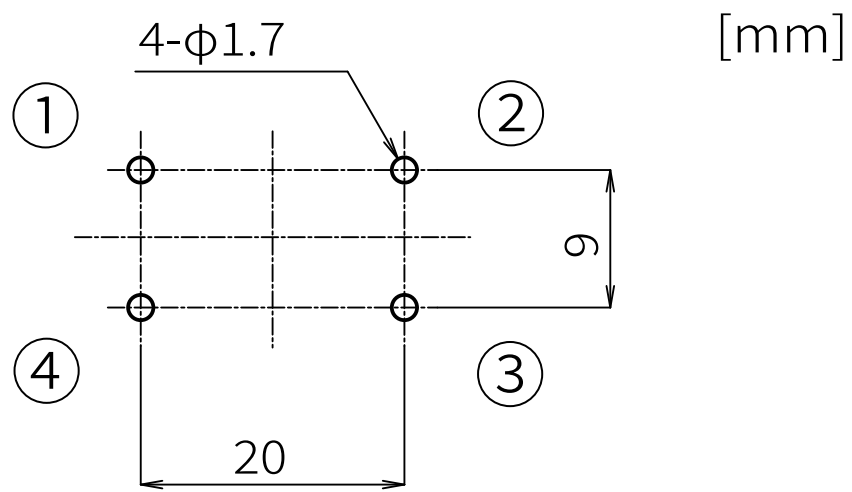


PC board pin-out

Item:LDFL008123VV-V0E

Common mode Choke Coil (Single Phase)



Wire: φ1.1-1P

Wiring Diagram

