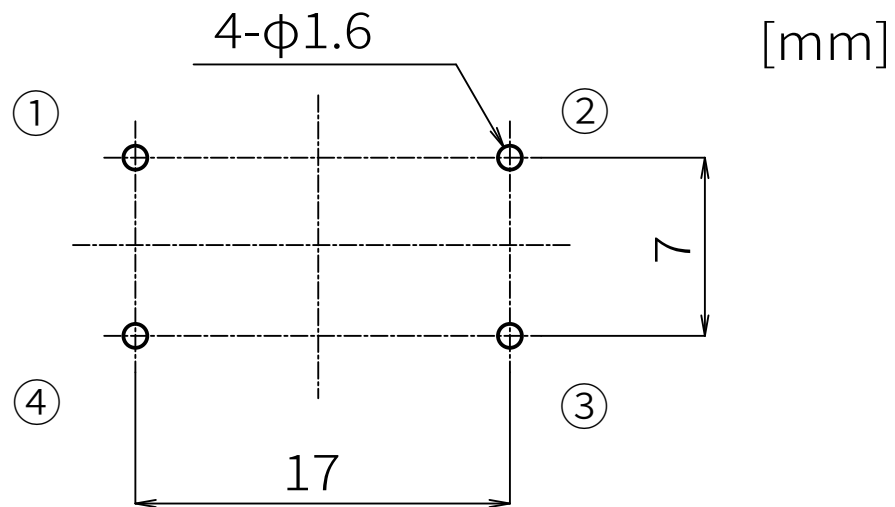


PC board pin-out

Item:LDFL007652V6-V0E

Common mode Choke Coil (Single Phase)



Wire: ϕ 1.0-1P

Wiring Diagram

