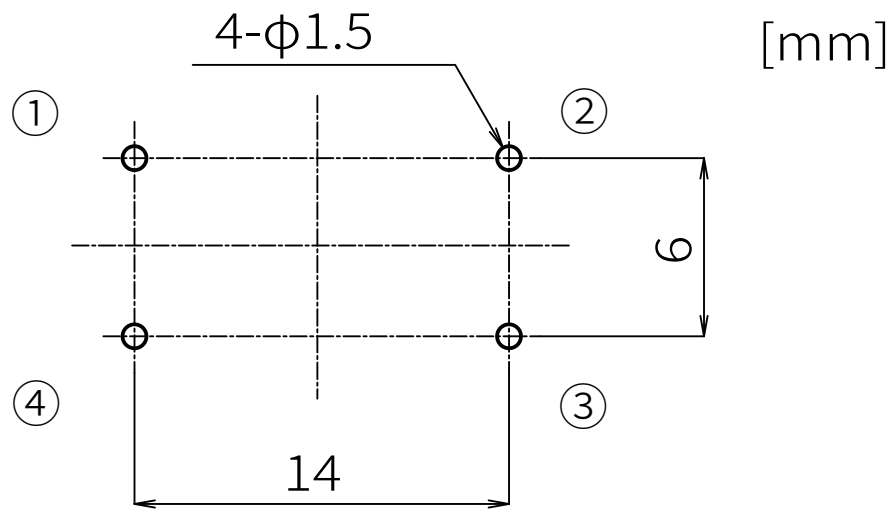


## PC board pin-out

Item:LDFL006832VD-V0E

Common mode Choke Coil (Single Phase)



Wire: φ0.9-1P

## Wiring Diagram

