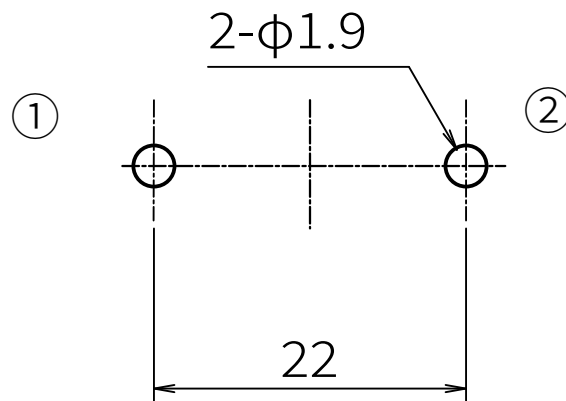


PC board pin-out

Item:LBBM008121X8-V0E

Normal Mode Choke Coil

[mm]



Wire: $\phi 1.3-1P$

Wiring Diagram

