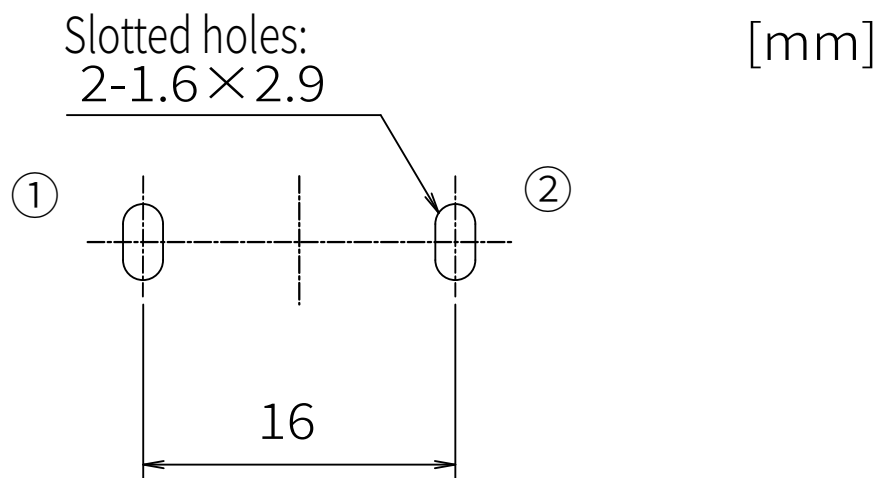


PC board pin-out

Item:LACM010500G6-V0E

Differential Mode Choke Coil

Wire: $\phi 1.0$ -2P

Wiring Diagram

