



NCM12-FE-180P is a camera module that features a high-performance image processing engine and includes a compact waterproof chassis.

It has 1280 horizontal and 960 vertical pixels and via 1/3.8" optical format.

Optimal for rear view cameras.

1.Features

- FAKRA connector (pigtail type)
- LVDS(GVIF2) ※1
- HDR
- Waterproof (IP67/IP69K)

※1 : GVIF is a registered trademark or trademark of Sony Group Inc. or its affiliates.

2.Specification

● Image Sensor	1/3.8-inch CMOS color image sensor
● Shutter Type	Rolling shutter
● Dimension(mm)	31 × 21.3 × 21.9 [mm] ※2
● Effective Pixels	1280(H) × 960(V)
● Pixel Size	2.9μm(H) × 2.9μm(V)
● Output Interface	LVDS(GVIF2)
● Output Signal Format	YCbCr422
● Frame Rate (Max.)	30fps
● Functions	Auto Exposure Control, Auto White Balance, Auto Gain Control, HDR, Image Inversion (up/down, left/right), Flicker correction, Waterproof & Dustproof Performance (IP67/IP69K), etc.
● Angle of View (Typ.)	(H)189°/(V)150°/(D)216°:1280(H)x960(V)
● Optical Filter	IRCF
● F Number	F2.4
● Connection Type	FAKRA relay connector
● Power Consumption (Typ.)	700 [mW]

※2 : FAKRA connector and Cable part is not included

3. Recommended Operating Conditions

● Recommended supply voltage	9.0	[V]
● Power Supply Voltage	8.0 ~ 10.0	[V]
● Operating Temperature	-30 ~ +80	[°C] ※3
● Storage Temperature	-40 ~ +85	[°C] ※3

※3 : No condensation

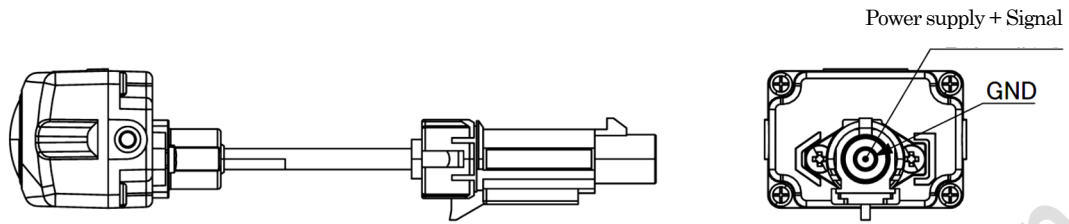
The specifications in this document are subject to change without notice for improvement.

This document does not grant any license to industrial property rights or any other rights related to the contents herein.

Reproduction or reprinting of this material without written consent of the Company is strictly prohibited.

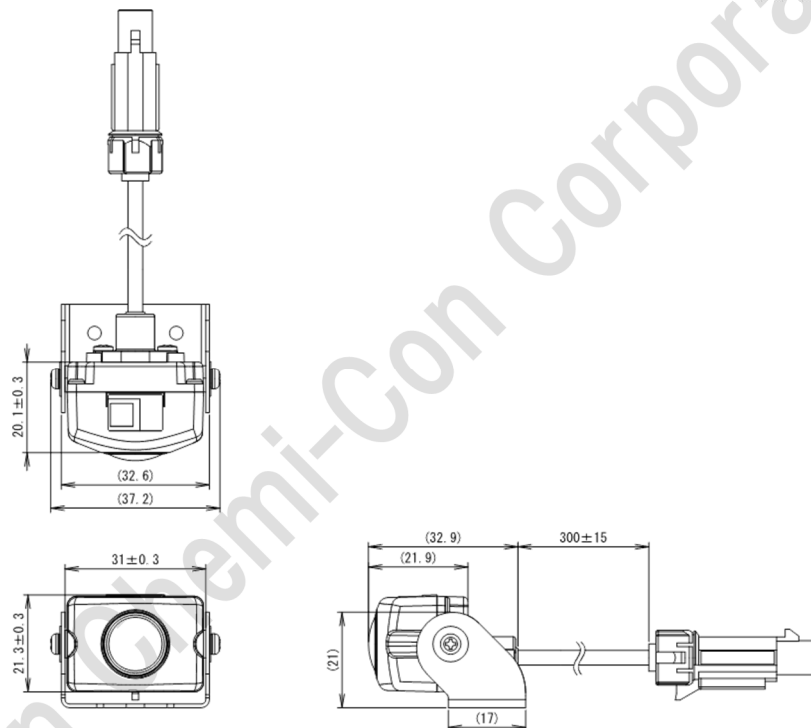


4. Terminal Description

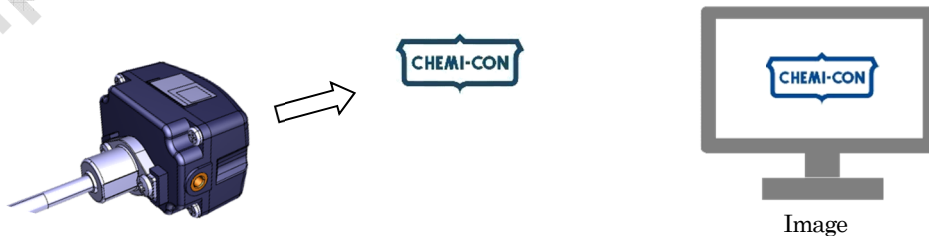


5. External Dimensions

【Unit : mm】



6. Image Capture Polarity



The specifications in this document are subject to change without notice for improvement.
This document does not grant any license to industrial property rights or any other rights related to the contents herein.
Reproduction or reprinting of this material without written consent of the Company is strictly prohibited.