



NCM12-FE-127F is a Quad VGA pixel compliant color camera module with waterproof housing with built-in ISP.

It has 1280 horizontal and 960 vertical pixels and via 1/3.8" optical format.

The compact waterproof housing makes this camera module ideal for rear-view applications.

1. Feature

- Directly connectable to FAKRA
- LVDS(GVIF2) ※1
- HDR
- Waterproof (IP67/IP69K)

※1 : GVIF is a registered trademark or trademark of Sony Group Inc. or its affiliates.

2. Specification

• Image Sensor	1/3.8 inch CMOS color image sensor
• Shutter Type	Rolling shutter
• Dimension(mm)	31 × 21.3 × 21.9 [mm] ※2
• Effective Pixels	1280(H) × 960(V)
• Pixel Size	2.9μm(H) × 2.9μm(V)
• Output Interface	LVDS(GVIF2)
• Output Signal Format	YCbCr422
• Frame Rate(Max.)	30fps
• Functions	Auto Exposure Control, Auto White Balance, Auto Gain Control, HDR, Image Inversion (up/down, left/right), Flicker correction, Waterproof& Dustproof Performance (IP67/IP69K), etc.
• Angle of View (Typ.)	(H)127°/(V)104°/(D)147°:1280(H)x960(V)
• Optical Filter	IRCF
• F Number	F2.1
• Connection Type	FAKRA connector
• Power Consumption (Typ.)	700 [mW]

※2 : FAKRA connector and Cable part is not included

3. Recommended Operating Conditions

• Recommended supply voltage	9.0	[V]
• Power Supply Voltage	8.0 ~ 10.0	[V]
• Operating Temperature	-30 ~ +80	[°C] ※3
• Storage Temperature	-40 ~ +85	[°C] ※3

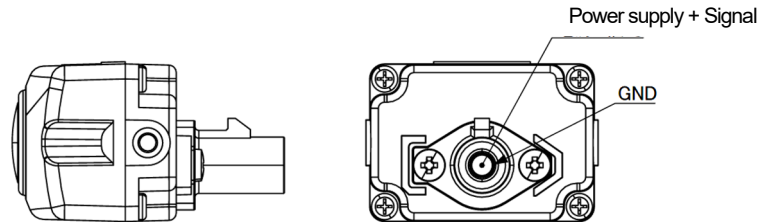
※3 : No condensation

The specifications in this document are subject to change without notice for improvement.

This document does not grant any license to industrial property rights or any other rights related to the contents herein.
Reproduction or reprinting of this material without written consent of the Company is strictly prohibited.

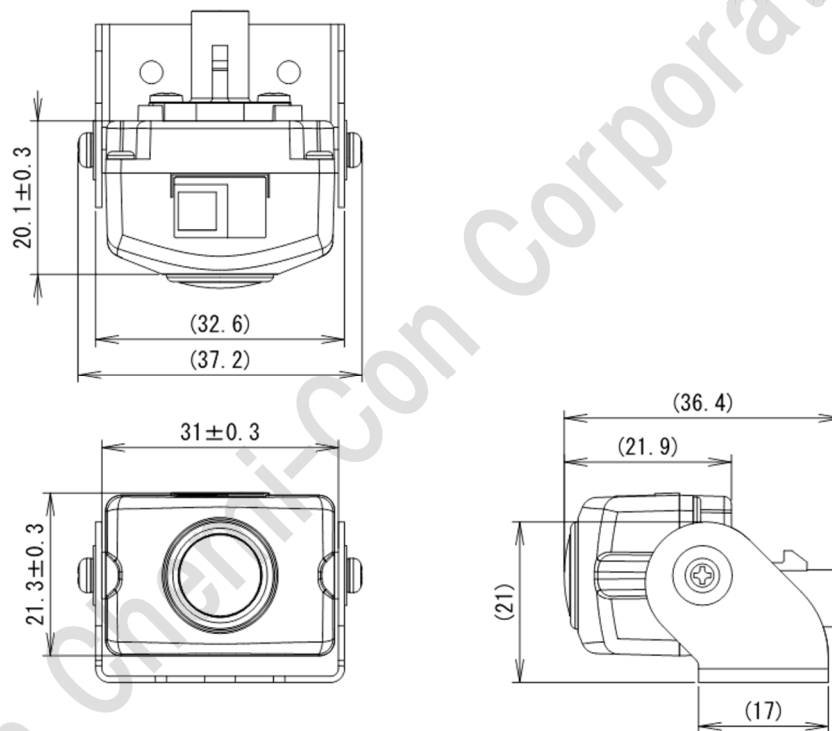


4. Terminal Description

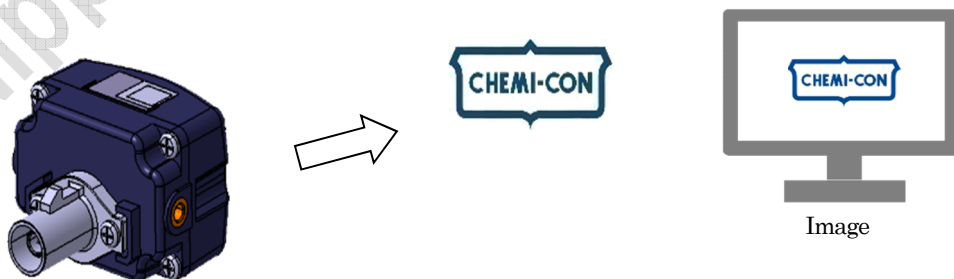


5. External Dimensions

[Unit: mm]



6. Image Capture Polarity



The specifications in this document are subject to change without notice for improvement.
This document does not grant any license to industrial property rights or any other rights related to the contents herein.
Reproduction or reprinting of this material without written consent of the Company is strictly prohibited.