



NCM03-BCW is a color camera module with waterproof housing with built-in ISP that complies with NTSC standards.

It has 648 horizontal pixels and 488 vertical pixels and conforms to the 1/3.7" optical format.

The compact, waterproof housing makes this camera module ideal for rear-view monitors.

1.Features

- High sensitivity
- Self-starting
- Waterproof (IP67)

2.Specification

| | |
|----------------------------|--|
| ● Image Sensor | 1/3.7 inch CMOS color image sensor |
| ● Shutter Type | Rolling shutter (interrace) |
| ● Dimension(mm) | 23 × 23 × 25.5[mm] ※1 |
| ● Effective Pixels | 648(H) × 488(V) |
| ● Pixel Size | 6.0μm(H) × 6.0μm(V) |
| ● Output Interface | Analog |
| ● Output Signal Format | NTCS |
| ● Frame Rate(Max.) | 29.97fps |
| ● Functions | Auto Exposure Control, Auto White Balance, Auto Gain Control, Flicker correction, Waterproof & Dustproof Performance (IP67/IP69K), etc. |
| ● Angle of View (Typ.) | (H)139°(V)112°(D)165° |
| ● Optical Filter | IRCF |
| ● F Number | F2.2 |
| ● Connection type | Relay connector |
| ● Power consumption (Typ.) | 360 [mW] |

※1 : Relay connector and Cable part is not included

3. Recommended Operating Conditions

| | | |
|------------------------------|------------|---------|
| ● Recommended supply voltage | 8.0 | [V] |
| ● Power Supply Voltage | 6.0 ~ 12.0 | [V] |
| ● Operating Temperature | -30 ~ +80 | [°C] ※2 |
| ● Storage Temperature | -40 ~ +85 | [°C] ※2 |

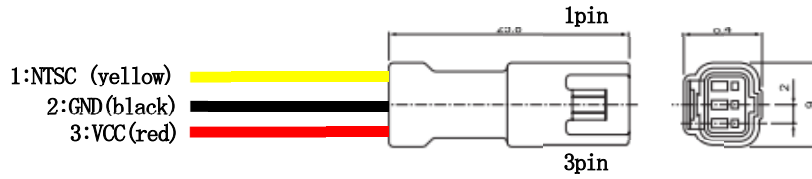
※2 : No condensation.

The specifications in this document are subject to change without notice for improvement.

This document does not grant any license to industrial property rights or any other rights related to the contents herein.

Reproduction or reprinting of this material without written consent of the Company is strictly prohibited.

4. Terminal Description

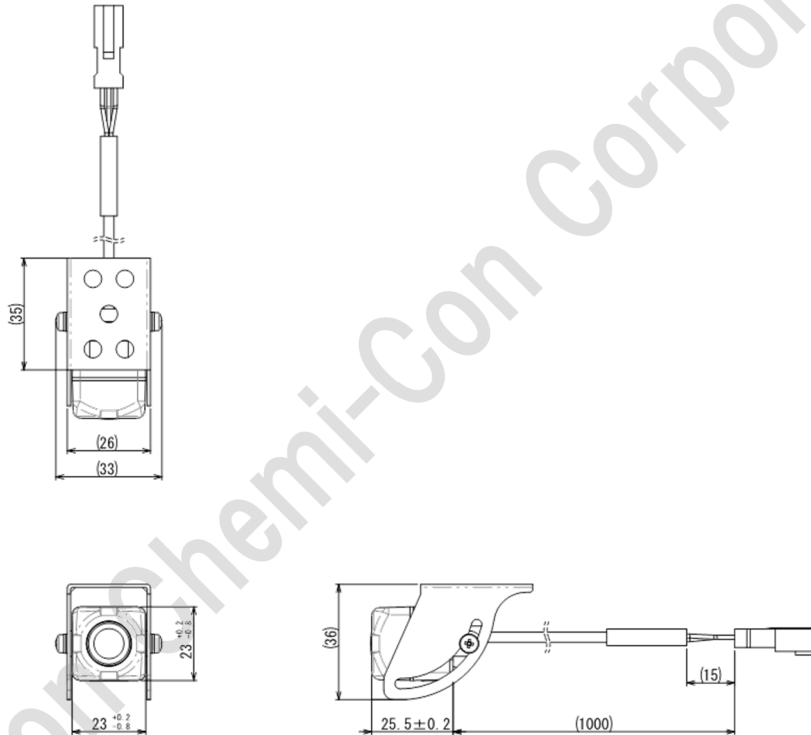


Connector : J. S. T. MFG. CO., LTD.
 Model number: 03T-JWPF-VSLE-S

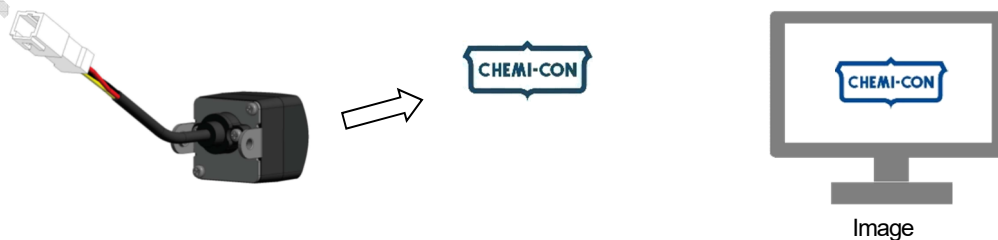
| Terminal | Symbol | I/O | Description | Cable color |
|----------|--------|-----|-------------|-------------|
| 1 | NTSC | O | NTSC | Yellow |
| 2 | GND | — | GROUND | Black |
| 3 | VCC | — | POWER | Red |

5. External Dimensions

[Unit : mm]



6. Image Capture Polarity



The specifications in this document are subject to change without notice for improvement.
 This document does not grant any license to industrial property rights or any other rights related to the contents herein.
 Reproduction or reprinting of this material without written consent of the Company is strictly prohibited.