



NCM-USB-10B is a USB output color camera module compliant with HD pixels. It has 1280 horizontal pixels and 720 vertical pixels and conforms to the 1/2.7" optical format. This camera module is compliant with USB Video Class 1.1 and is ideal for video input devices such as security, network, and authentication cameras.

1.Features

- USB Video Class1.1
- USB-bus power
- USB integrated board package
- HDR

2.Specification

● Image Sensor	1/2.7-inch CMOS color image sensor
● Shutter Type	Rolling shutter
● Dimension	32 × 32 [mm] ※1
● Effective Pixels	1280(H) × 720(V)
● Pixel Size	4.2μm(H) × 4.2μm(V)
● Output Interface	USB2.0 (USB Video Class1.1 isochronous)
● Output Signal Format	YUV, Motion JPEG
● Frame rate (Max.)	30fps
● Function	Auto Exposure Control, Auto White Balance, Auto Gain Control, HDR, Image Inversion (up/down, left/right), Flicker correction, etc.
● Angle of View (Typ.)	(H)110°/(V)70°/(D)124°:1280(H)x720(V)
● Optical filter	IRCF
● F Number	F2.4
● Connection Type	USB2.0 micro B connector
● Power Consumption (Typ.)	1000 [mW]

※1 : Micro B connector part is not included.

3. Recommended Operating Conditions

● Power supply voltage	5.0 [V] ※2
● Operating voltage range	4.75 ~ 5.25 [V] ※2
● Operating Temperature	-20 ~ +60 [°C] ※3
● Storage Temperature	-30 ~ +70 [°C] ※3
● Supported OS	Windows7, Windows8, Windows10 ※4

※2 : USB-bus power.

※3 : No condensation.

※4 : Linux and embedded OS are not supported.

The specifications in this document are subject to change without notice for improvement. This document does not grant any license to industrial property rights or any other rights related to the contents herein. Reproduction or reprinting of this material without written consent of the Company is strictly prohibited.

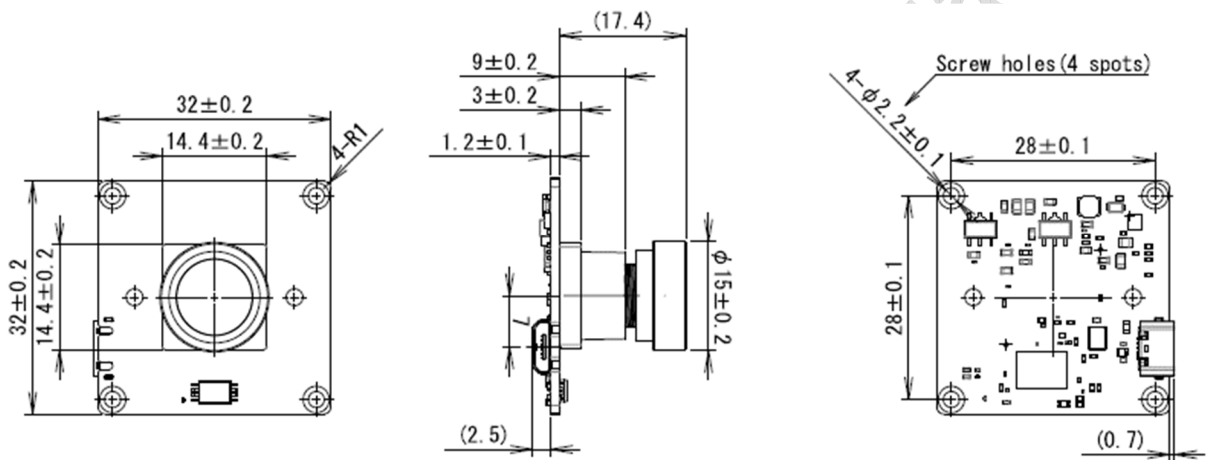
4. Terminal Description

USB2.0 micro B connector

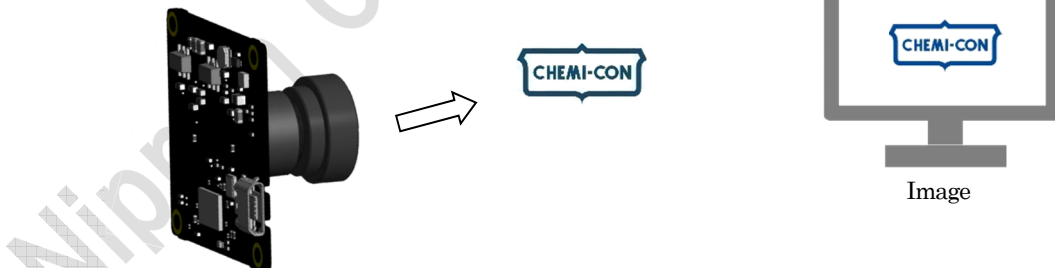
No	Symbol	I/O	Terminal Description
1	VBUS	-	USB-bus power supply
2	D-	I/O	USB data output (-)
3	D+	I/O	USB data output (+)
4	N.C.	-	unconnected
5	GND	-	Ground

5. External Dimensions

[Unit : mm]



6. Image Capture Polarity



The specifications in this document are subject to change without notice for improvement.
 This document does not grant any license to industrial property rights or any other rights related to the contents herein.
 Reproduction or reprinting of this material without written consent of the Company is strictly prohibited.