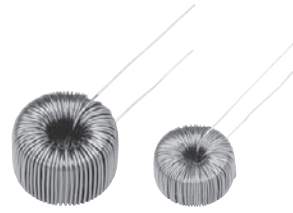


### ◆MAJOR USES

- Output choke coils for Switching Mode Power Supply
- For DC-DC converter
- Normal mode choke coils for noise control
- Please contact us when the coils are used in a high-voltage circuit.



### ◆FEATURES

- Smaller size in comparison with ferrite choke coil by about half in volume
- Lower core loss in comparison with silicon steel sheet by about half
- More excellent DC bias and temperature characteristics in comparison with dust choke
- Unidirectional leakage flux enables parts to be mounted adjacently adjacent mounting parts.

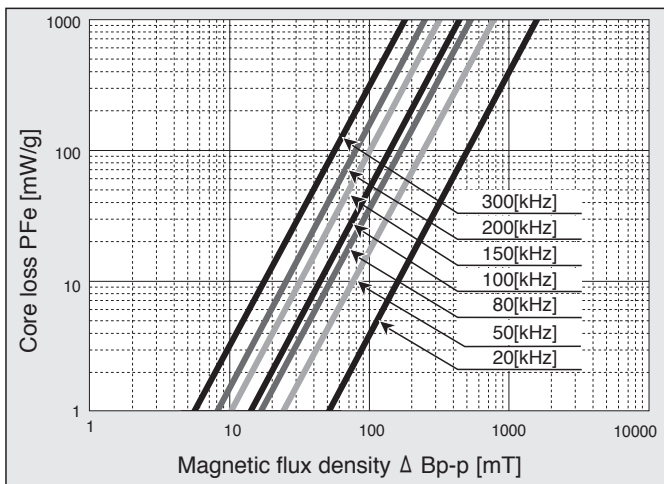
### ◆CORE STANDARD SPECIFICATIONS

Core Part No. (Old Core Part No.)	Abbreviation	Cross Sectional Area cm <sup>2</sup>	Magnetic Path Length cm	Outside Dimensions			Inductance Coefficient AL Value		
				Outer Diameter mm	Width mm	Height mm	Idc=0[A] μH	Rated Current* μH	Rated Current Ampere Turn [AT]
LNC181210G (C181210G)	G3	0.264	4.71	20.2	8.8	11.8	0.122	0.116	150
LNC191305G (C191305G)	G4	0.132	5.03	22.0	10.0	8.0	0.050	0.045	200
LNC221310G (C221310G)	G6	0.396	5.50	24.7	10.5	12.0	0.164	0.147	190
LNC251510G (C251510G)	G7	0.440	6.28	28.3	12.7	12.3	0.133	0.120	300
LNC251515G (C251515G)	G8	0.660	6.28	28.3	12.7	17.5	0.185	0.170	330
LNC322010G (C322010G)	G9	0.528	8.17	35.2	17.5	12.3	0.137	0.125	330
LNC372310G (C372310G)	G0	0.616	9.42	40.5	19.5	13.0	0.154	0.140	350
LNC372315G (C372315G)	GJ	0.924	9.42	40.5	19.5	18.0	0.210	0.190	400
LNC462715G (C462715G)	GQ	1.254	11.5	49.4	22.7	18.0	0.235	0.207	450
LNC462725G (C462725G)	GK	2.090	11.5	49.4	22.7	28.0	0.360	0.320	550

\*10[kHz], ±25%

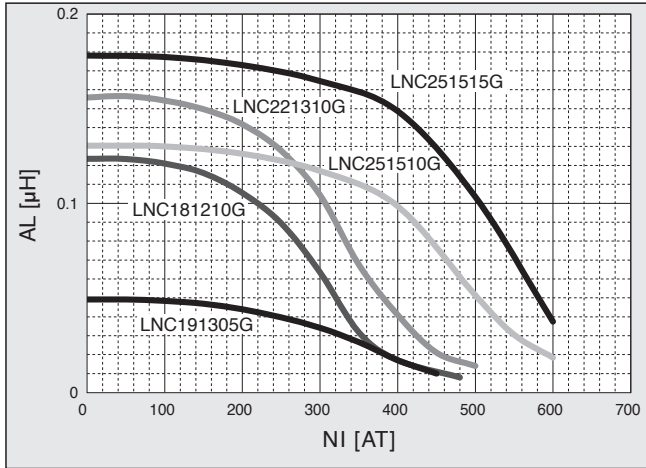
### ◆CORE LOSS CHARACTERISTICS

- CM choke



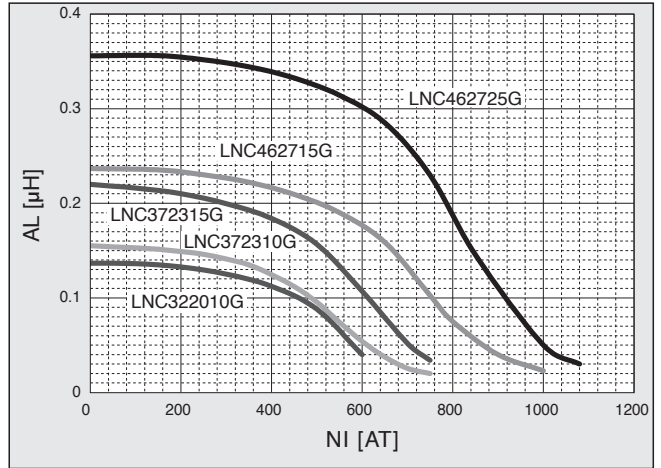
◆ D.C. BIAS CHARACTERISTICS AL-AT(1)

● Frequency : 10[kHz]

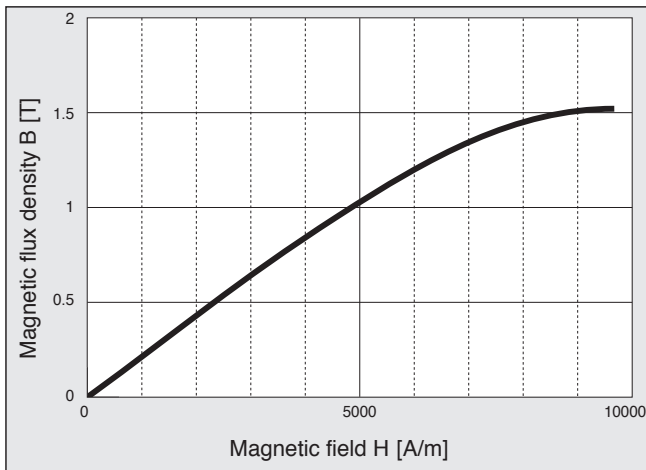


◆ D.C. BIAS CHARACTERISTICS AL-AT(2)

● Frequency : 10[kHz]

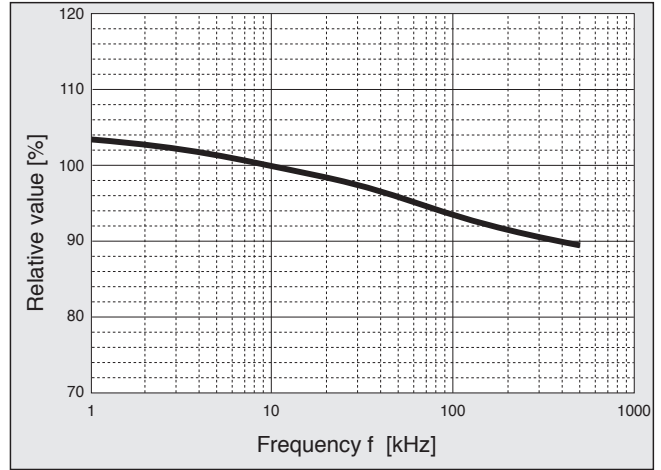


◆ MAGNETIC FIELD - MAGNETIC DENSITY



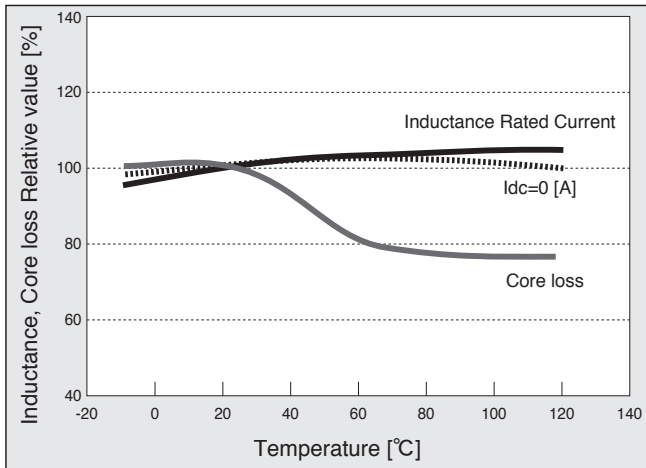
◆ FREQUENCY - INDUCTANCE CHARACTERISTICS

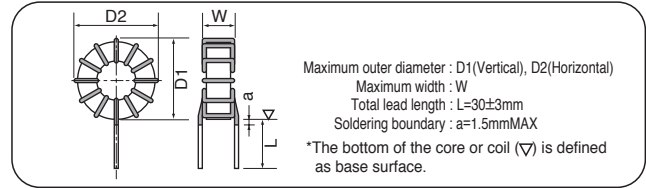
● CM Core



◆ TEMPERATURE DEPENDENCE - INDUCTANCE AND CORE LOSS

● Frequency : 100[kHz]





## ◆ COIL STANDARD SPECIFICATIONS

Coil Part No. (Old Coil Part No.)	Rated Current A	Inductance <sup>*1</sup> (10kHz)		D.C.R. mΩ (max)	Winding mmφ×lines	Outside Dimensions		
		0[A] μH	Rating μH			D1 mm	D2 mm	W mm
● LACM002601G3-V0E (CM02601G3PBF)	2	645	600	190	0.6×1P	23.5	24.0	16.0
● LACM003401G3-V0E (CM03401G3PBF)	3	420	400	92	0.8×1P	24.5	25.0	17.5
● LACM004201G3-V0E (CM04201G3PBF)	4	209	200	51	0.9×1P	24.5	25.0	16.5
● LACM006101G3-V0E (CM06101G3PBF)	6	110	100	24	0.8×2P	24.5	25.0	17.5
● LACM008700G3-V0E (CM08700G3PBF)	8	85	70	17	0.9×2P	25.0	25.5	19.0
● LACM002401G4-V0E (CM02401G4PBF)	2	425	400	190	0.6×1P	24.5	25.0	12.5
● LACM003251G4-V0E (CM03251G4PBF)	3	265	250	87	0.8×1P	25.5	26.0	13.5
● LACM004101G4-V0E (CM04101G4PBF)	4	110	100	43	0.9×1P	25.5	26.0	13.0
● LACM006500G4-V0E (CM06500G4PBF)	6	55	50	20	0.8×2P	25.5	26.0	14.0
● LACM008300G4-V0E (CM08300G4PBF)	8	33	30	13	0.9×2P	26.0	26.5	14.0
● LACM010150G4-V0E (CM10150G4PBF)	10	18	15	8	1.0×2P	26.5	27.0	13.5
◎ LACM001152G6-V0E (CM01152G6PBF)	1	1530	1500	390	0.5×1P	27.0	27.5	15.5
◎ LACM002102G6-V0E (CM02102G6PBF)	2	1050	1000	230	0.6×1P	27.5	28.0	16.0
◎ LACM003601G6-V0E (CM03601G6PBF)	3	690	600	110	0.8×1P	28.0	28.5	18.0
◎ LACM004301G6-V0E (CM04301G6PBF)	4	339	300	59	0.9×1P	28.5	29.0	17.0
◎ LACM005151G6-V0E (CM05151G6PBF)	5	165	150	34	1.0×1P	28.5	29.0	17.5
◎ LACM006151G6-V0E (CM06151G6PBF)	6	171	150	27	0.8×2P	28.0	28.5	17.5
◎ LACM010500G6-V0E (CM10500G6PBF)	10	60	50	11	1.0×2P	28.5	29.0	18.0
◎ LACM010700G6-V0E (CM10700G6PBF)	10	85	70	13	1.0×2P	29.5	30.0	18.5
◎ LACM015150G6-V0E (CM15150G6PBF)	15	17	15	5	1.0×3P	28.5	29.0	17.5
◎ LACM020150G6-V0E (CM20150G6PBF)	20	17	15	4	1.0×4P	29.0	29.5	18.5

\*1 Rated inductance tolerance : ±25%, the inductance at current 0[A] indicates the reference value.

There is a horizontal putting type in all items in the above list. "V" changes into "H" in last the third digit of the name of items.

There is a type with the length putting seat in ● item in the above list. "V" changes into "D" in last the third digit of the name of items.

There are the type with the length putting seat and the horizontal putting seat in ◎ item.

The type with the length putting seat is "V" changes into "B" in last the third digit of the name of items.

\*Order the auxiliary pins separately if they are required for the pedestal.

Please select them according to the situation.

## ◆ COIL STANDARD SPECIFICATIONS

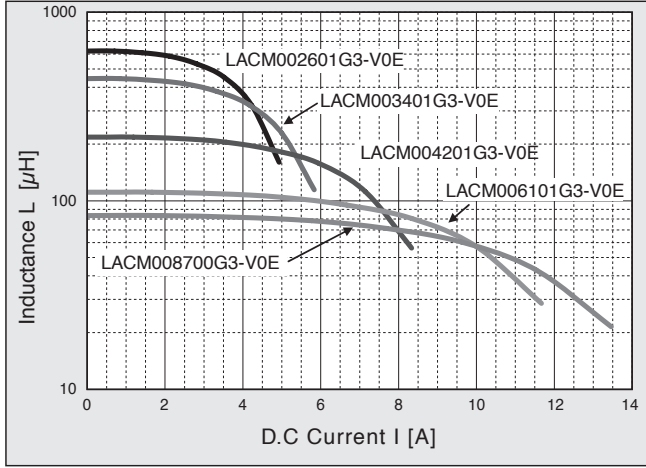
Coil Part No. (Old Coil Part No.)	Rated Current A	Inductance <sup>1)</sup> (10kHz)		D.C.R. mΩ (max)	Winding mmφ×lines	Outside Dimensions		
		0[A] μH	Rating μH			D1 mm	D2 mm	W mm
⊙ LACM004401G7-V0E (CM04401G7PBF)	4	420	400	77	0.9×1P	32.0	32.5	18.0
⊙ LACM006201G7-V0E (CM06201G7PBF)	6	207	200	35	0.8×2P	32.0	32.5	18.0
⊙ LACM006261G7-V0E (CM06261G7PBF)	6	270	260	41	0.8×2P	32.0	32.5	18.5
⊙ LACM008151G7-V0E (CM08151G7PBF)	8	160	150	24	0.9×2P	32.5	33.0	18.5
⊙ LACM008191G7-V0E (CM08191G7PBF)	8	215	190	33	0.9×2P	32.5	33.0	19.5
⊙ LACM010101G7-V0E (CM10101G7PBF)	10	110	100	16	1.0×2P	32.5	33.0	18.5
⊙ LACM010121G7-V0E (CM10121G7PBF)	10	140	120	19	1.0×2P	33.0	33.5	19.5
⊙ LACM015300G7-V0E (CM15300G7PBF)	15	35	30	7	1.0×3P	32.5	33.0	19.0
⊙ LACM015500G7-V0E (CM15500G7PBF)	15	55	50	9	1.0×3P	33.0	33.5	19.5
⊙ LACM020300G7-V0E (CM20300G7PBF)	2	35	30	6	1.0×4P	33.0	33.5	20.0
● LACM025200G7-V0E (CM25200G7PBF)	25	26	20	4	1.0×5P	33.5	34.0	20.0
● LACM030130G7-V0E (CM30130G7PBF)	30	16	13	3	1.0×6P	34.0	34.5	20.0
⊙ LACM002192G8-V0E (CM02192G8PBF)	2	1940	1900	390	0.6×1P	31.0	31.5	22.5
⊙ LACM005301G8-V0E (CM05301G8PBF)	5	306	300	58	1.0×1P	33.0	33.5	24.5
⊙ LACM010151G8-V0E (CM10151G8PBF)	10	170	150	22	1.0×2P	33.0	33.5	25.5
⊙ LACM015700G8-V0E (CM15700G8PBF)	15	75	70	11	1.0×3P	33.5	34.0	26.0
⊙ LACM020400G8-V0E (CM20400G8PBF)	20	45	40	7	1.0×4P	33.5	34.0	26.0
● LACM025250G8-V0E (CM25250G8PBF)	25	27	25	5	1.0×5P	33.5	34.0	26.5
⊙ LACM003102G9-V0E (CM03102G9PBF)	3	1070	1000	170	0.8×1P	39.0	39.5	19.0
⊙ LACM006301G9-V0E (CM06301G9PBF)	6	335	300	48	0.8×2P	39.5	40.0	19.0
⊙ LACM008251G9-V0E (CM08251G9PBF)	8	289	250	37	0.9×2P	39.5	40.0	19.0
⊙ LACM010191G9-V0E (CM10191G9PBF)	10	220	190	21	1.1×2P	41.0	41.5	21.0
⊙ LACM015850G9-V0E (CM15850G9PBF)	15	100	85	10	1.3×2P	41.0	41.5	21.5
⊙ LACM020450G9-V0E (CM20450G9PBF)	20	55	45	7	1.2×3P	41.0	41.5	21.5
● LACM030200G9-V0E (CM30200G9PBF)	30	23	20	3	1.3×4P	42.0	42.5	22.0

## ◆ COIL STANDARD SPECIFICATIONS

Coil Part No. (Old Coil Part No.)	Rated Current A	Inductance <sup>1</sup> (10kHz)		D.C.R. mΩ (max)	Winding mmφ×lines	Outside Dimensions		
		0[A] μH	Rating μH			D1 mm	D2 mm	W mm
⊙ LACM006501G0-V0E (CM06501G0PBF)	6	569	500	61	0.8×2P	44.0	44.5	19.5
⊙ LACM010201G0-V0E (CM10201G0PBF)	10	255	200	27	1.0×2P	45.0	45.5	20.0
⊙ LACM015900G0-V0E (CM15900G0PBF)	15	135	90	13	1.0×3P	45.0	45.5	20.0
⊙ LACM020500G0-V0E (CM20500G0PBF)	20	70	50	8	1.0×4P	45.0	45.5	20.5
⊙ LACM025300G0-V0E (CM25300G0PBF)	25	38	30	6	1.0×5P	45.0	45.5	20.0
⊙ LACM030250G0-V0E (CM30250G0PBF)	30	35	25	5	1.0×6P	45.5	46.0	20.5
⊙ LACM035150G0-V0E (CM35150G0PBF)	35	18	15	4	1.0×7P	45.5	46.0	20.5
⊙ LACM004102GJ-V0E (CM04102GJPBF)	4	1080	1000	140	0.9×1P	44.0	44.5	23.0
⊙ LACM010301GJ-V0E (CM10301GJPBF)	10	380	300	31	1.0×2P	45.0	45.5	25.0
⊙ LACM015121GJ-V0E (CM15121GJPBF)	15	137	120	14	1.0×3P	45.5	46.0	25.5
⊙ LACM020700GJ-V0E (CM20700GJPBF)	20	83	70	12	1.0×4P	45.5	46.0	25.5
⊙ LACM025500GJ-V0E (CM25500GJPBF)	25	60	50	7	1.0×5P	46.0	46.5	26.0
⊙ LACM030300GJ-V0E (CM30300GJPBF)	30	38	30	4	1.0×6P	45.5	46.0	26.0
⊙ LACM040150GJ-V0E (CM40150GJPBF)	40	18	15	3	1.3×5P	46.0	46.5	26.5
⊙ LACM015201GQ-V0E (CM15201GQPBF)	15	255	200	20	1.0×3P	54.0	54.5	26.0
⊙ LACM020101GQ-V0E (CM20101GQPBF)	20	125	100	12	1.0×4P	54.5	55.0	25.5
⊙ LACM035300GQ-V0E (CM35300GQPBF)	35	35	30	5	1.0×7P	55.0	55.5	26.0
⊙ LACM040200GQ-V0E (CM40200GQPBF)	40	24	20	3	1.3×5P	55.5	56.0	26.0
⊙ LACM010501GK-V0E (CM10501GKPBF)	10	530	500	44	1.0×2P	54.5	55.0	34.5
⊙ LACM015301GK-V0E (CM15301GKPBF)	15	350	300	24	1.0×3P	55.0	55.5	36.0
⊙ LACM015451GK-V0E (CM15451GKPBF)	15	516	450	30	1.0×3P	55.5	56.0	36.5
⊙ LACM020201GK-V0E (CM20201GKPBF)	20	250	200	15	1.0×4P	55.0	55.5	36.0
⊙ LACM025101GK-V0E (CM25101GKPBF)	25	115	100	9	1.0×5P	55.5	56.0	35.5
⊙ LACM030101GK-V0E (CM30101GKPBF)	30	115	100	8	1.0×6P	55.5	56.0	36.5
⊙ LACM035500GK-V0E (CM35500GKPBF)	35	60	50	6	1.0×7P	56.0	56.5	36.5

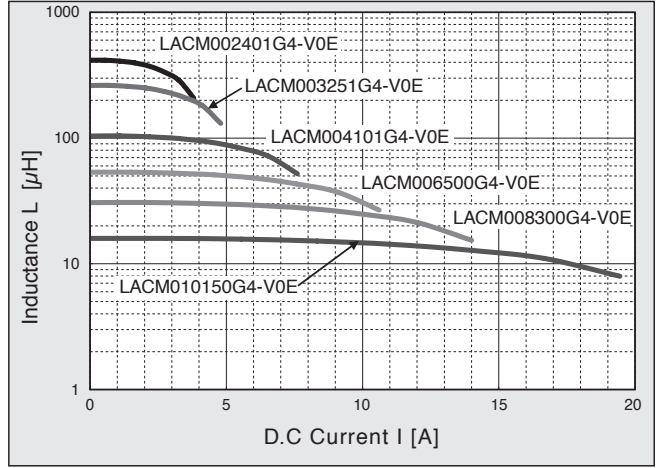
◆D.C. BIAS CHARACTERISTICS (1)

●Core : LNC181210G, Frequency : 10[kHz]



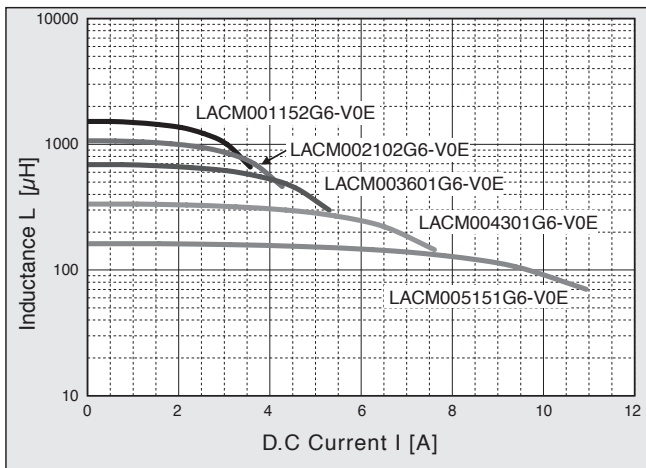
◆D.C. BIAS CHARACTERISTICS (2)

●Core : LNC191305G, Frequency : 10[kHz]



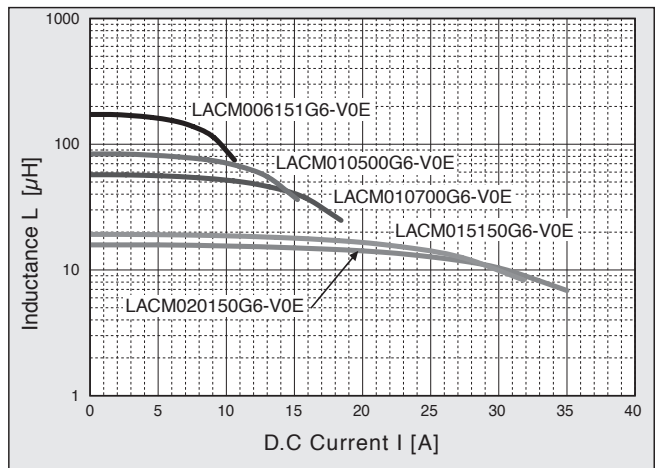
◆D.C. BIAS CHARACTERISTICS (3)

●Core : LNC221310G, Frequency : 10[kHz]



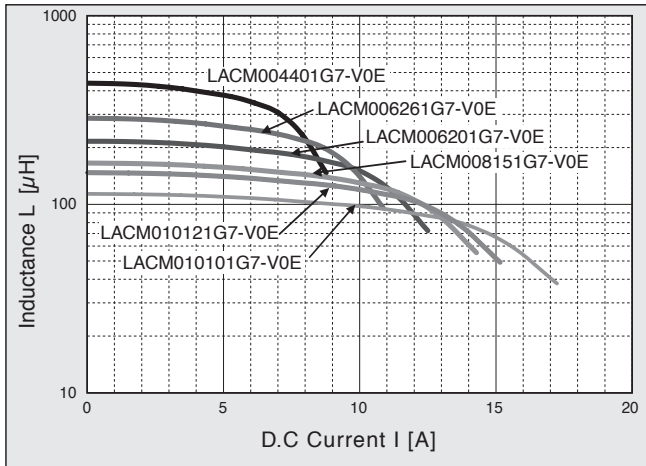
◆D.C. BIAS CHARACTERISTICS (4)

●Core : LNC221310G, Frequency : 10[kHz]



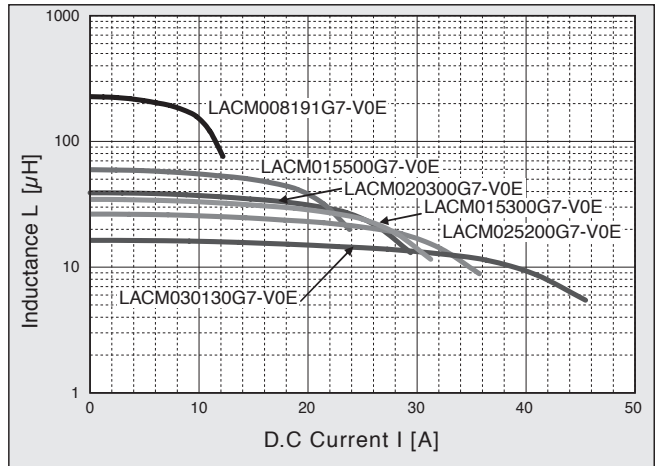
◆D.C. BIAS CHARACTERISTICS (5)

●Core : LNC251510G, Frequency : 10[kHz]



◆D.C. BIAS CHARACTERISTICS (6)

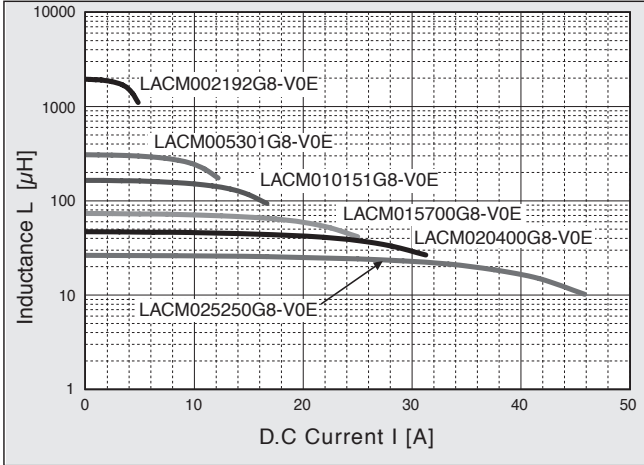
●Core : LNC251510G, Frequency : 10[kHz]





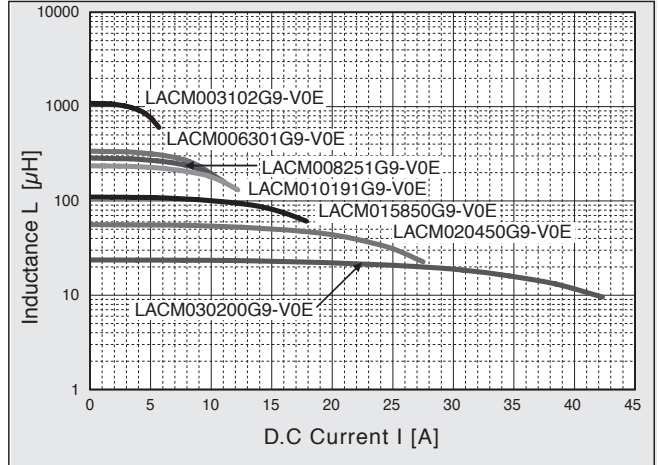
◆D.C. BIAS CHARACTERISTICS (7)

●Core : LNC251515G, Frequency : 10[kHz]



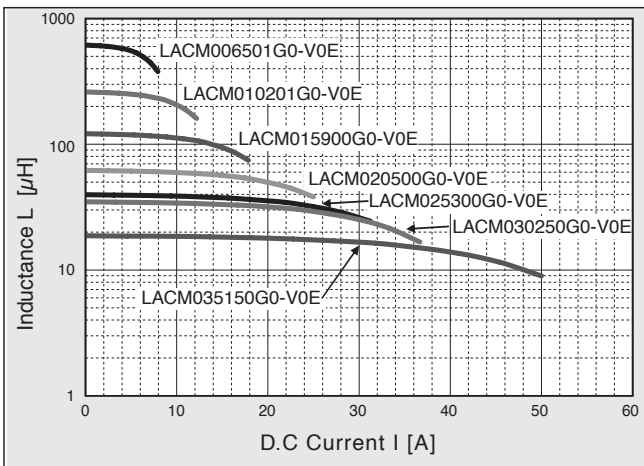
◆D.C. BIAS CHARACTERISTICS (8)

●Core : LNC322010G, Frequency : 10[kHz]



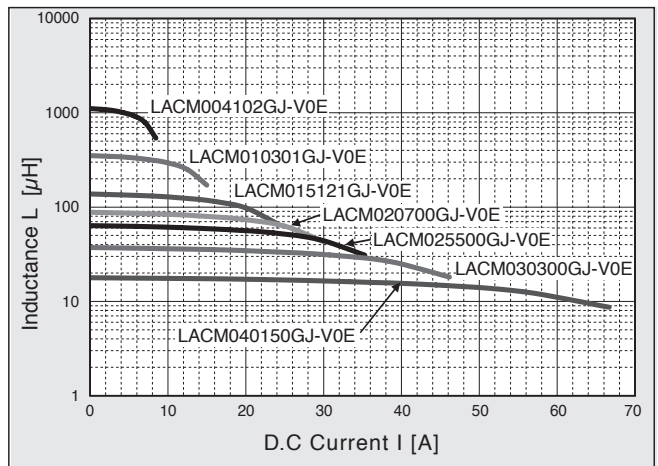
◆D.C. BIAS CHARACTERISTICS (9)

●Core : LNC372310G, Frequency : 10[kHz]



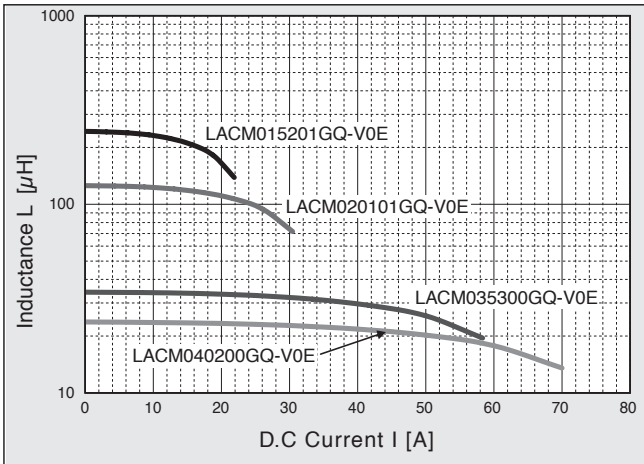
◆D.C. BIAS CHARACTERISTICS (10)

●Core : LNC372315G, Frequency : 10[kHz]



◆D.C. BIAS CHARACTERISTICS (11)

●Core : LNC462715G, Frequency : 10[kHz]



◆D.C. BIAS CHARACTERISTICS (12)

●Core : LNC462725G, Frequency : 10[kHz]

