

● Feature

- ☑ Endurance: 105°C 3,000h to 15,000h
- ☑ Voltage: 2.0V_{dc} to 10V_{dc}
- ☑ Capacitance: 120μF to 1,000μF
- ☑ Size: $\phi 5 \times 3.9L$ to $\phi 8 \times 6.7L$
- ☑ **Lower ESR** than PXE series

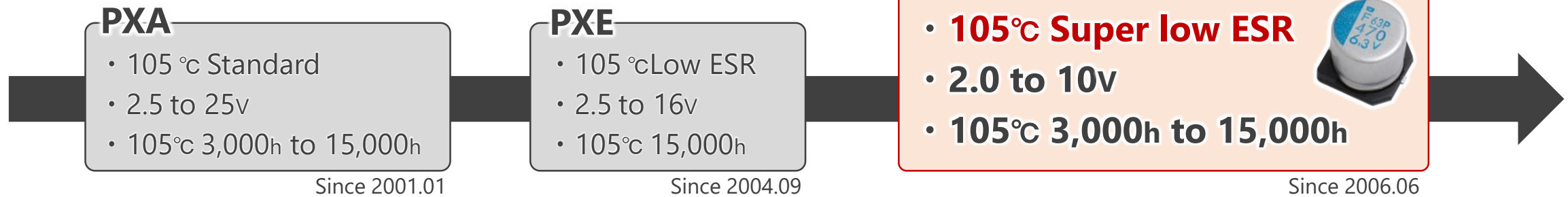
● Recommended Application

- ☑ Power supply that required output excellent filtering
- ☑ Switched-mode power supplies
- ☑ USB Power Delivery

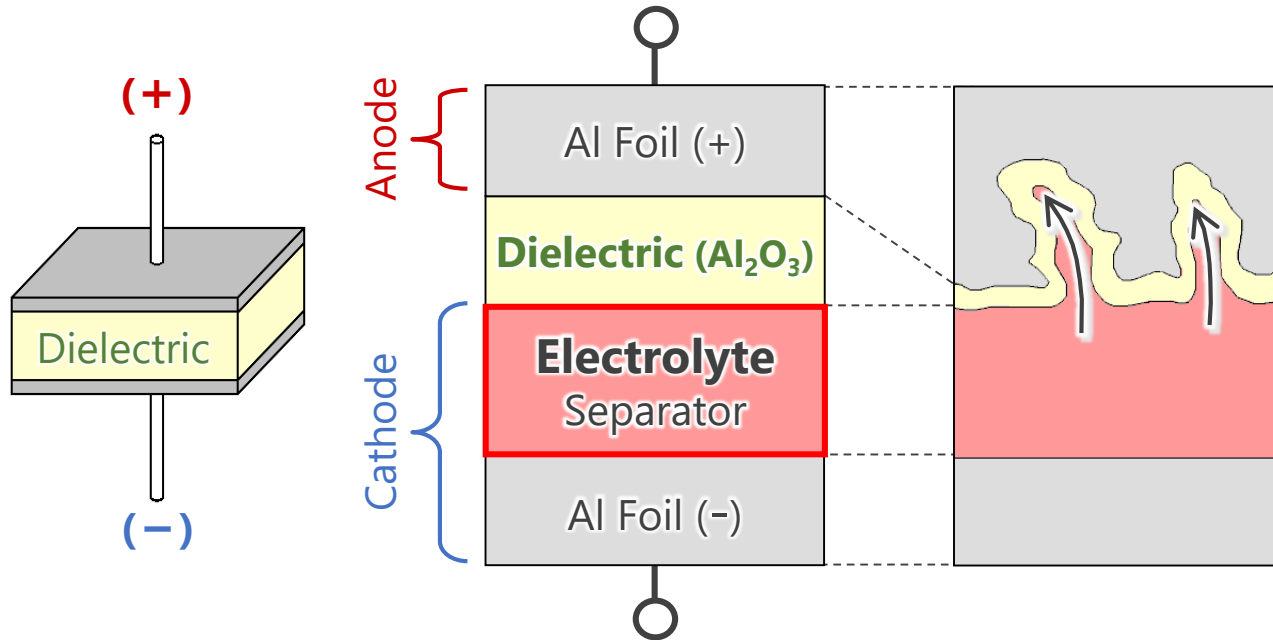
● Product Chart

- ☑ **Recommended to replace PXE with PXF**

* Super low ESR (Polymer / SMD type)



● Advantage



Conventional
PXE

【 Key Technologies 】

Dielectric

- Optimized thickness

Electrolyte

- Optimizing conductive polymer

PXF

✓ Two advantages of PXF



① Super low ESR

② Higher capacitance / Low ESR

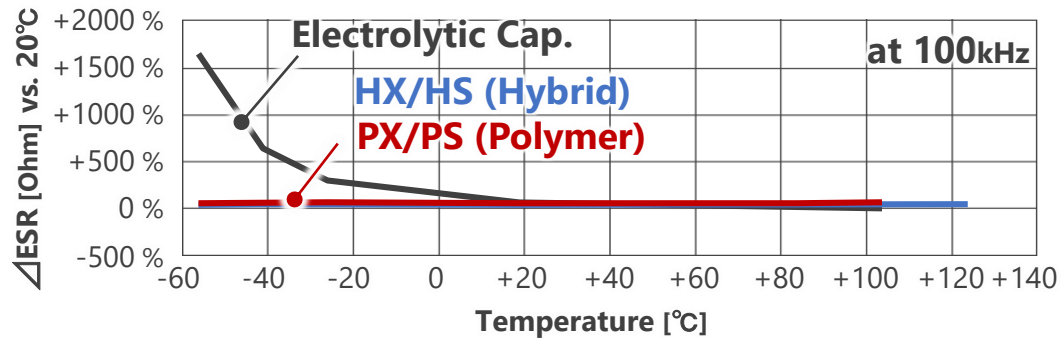
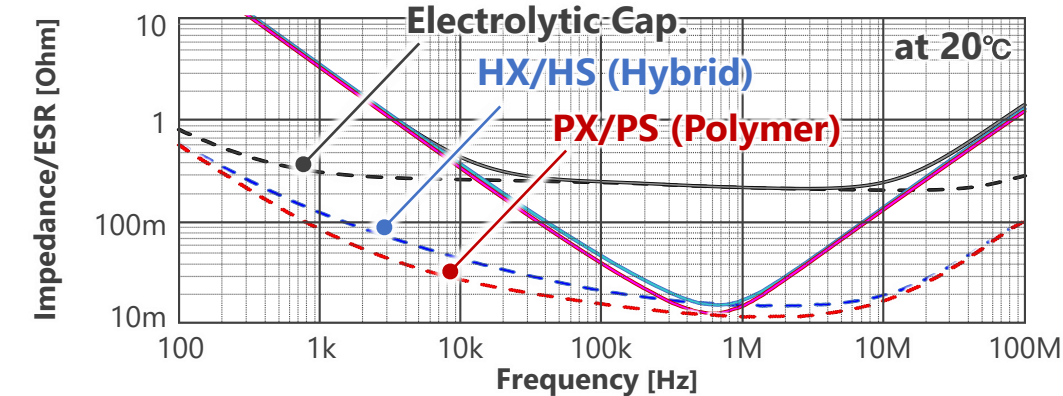
Benefit/Evidence

- ➔ ① Super low ESR . . . Suitable for low noise or high performances power supply
- ② Higher cap. / Low ESR . . . Equipment downsizing



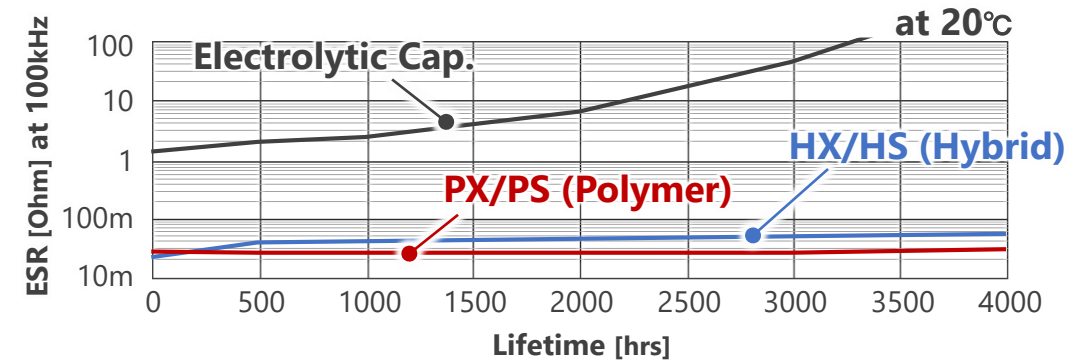
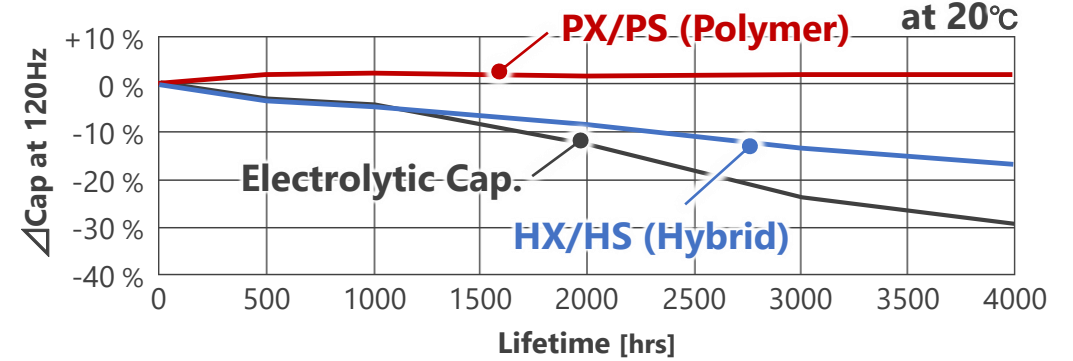
Temp. characteristics (ESR)

35V47 μ F, Φ 6.3 \times 6.8L



Endurance (ESR)

35V47 μ F, Φ 6.3 \times 6.8L



● Benefit/Evidence

① Super low ESR . . . Suitable for low noise or high performances power supply

➔ ② Higher cap. / Low ESR . . . Equipment downsizing

