

● Feature

- ☑ Endurance: **105°C 10,000h**
- ☑ Voltage: 6.3V_{dc} to 50V_{dc}
- ☑ Capacitance: 33μF to 1,000μF
- ☑ Size: φ8×10L, φ10×10L
- ☑ **Longer lifetime** than MVL, MLE series (Conventional)

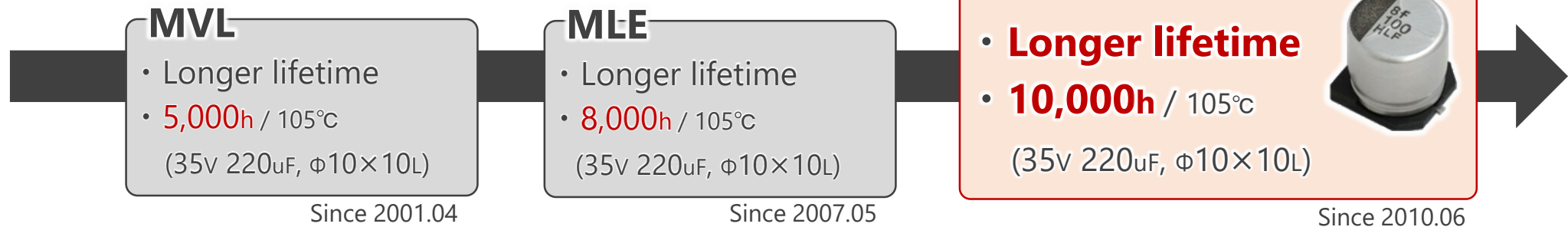
● Recommended Application

- ☑ Home electronics
- ☑ Thin power supply

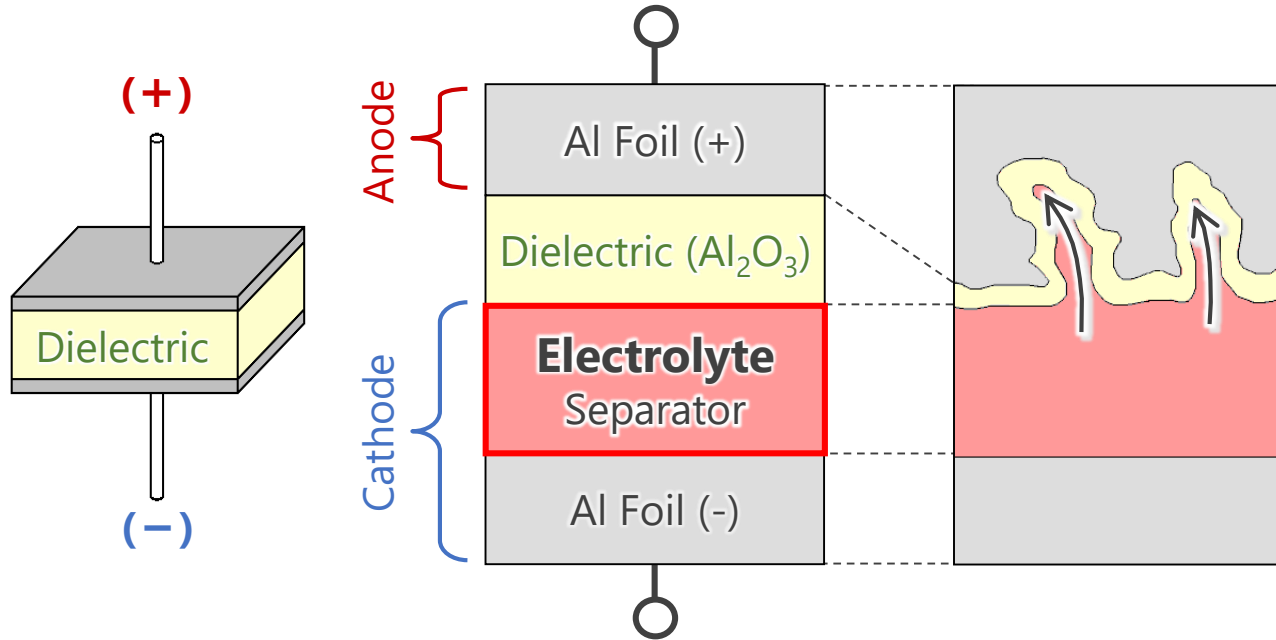
● Product Chart

- ☑ **Recommended to replace from MVL/MLE to MLF**

*Longer Life (SMD type)



● Advantage



Conventional
MVL/MLE

【Key Technologies】

Electrolyte

- Optimized amount of electrolyte

Sealing rubber

- Adopted new material

MLF

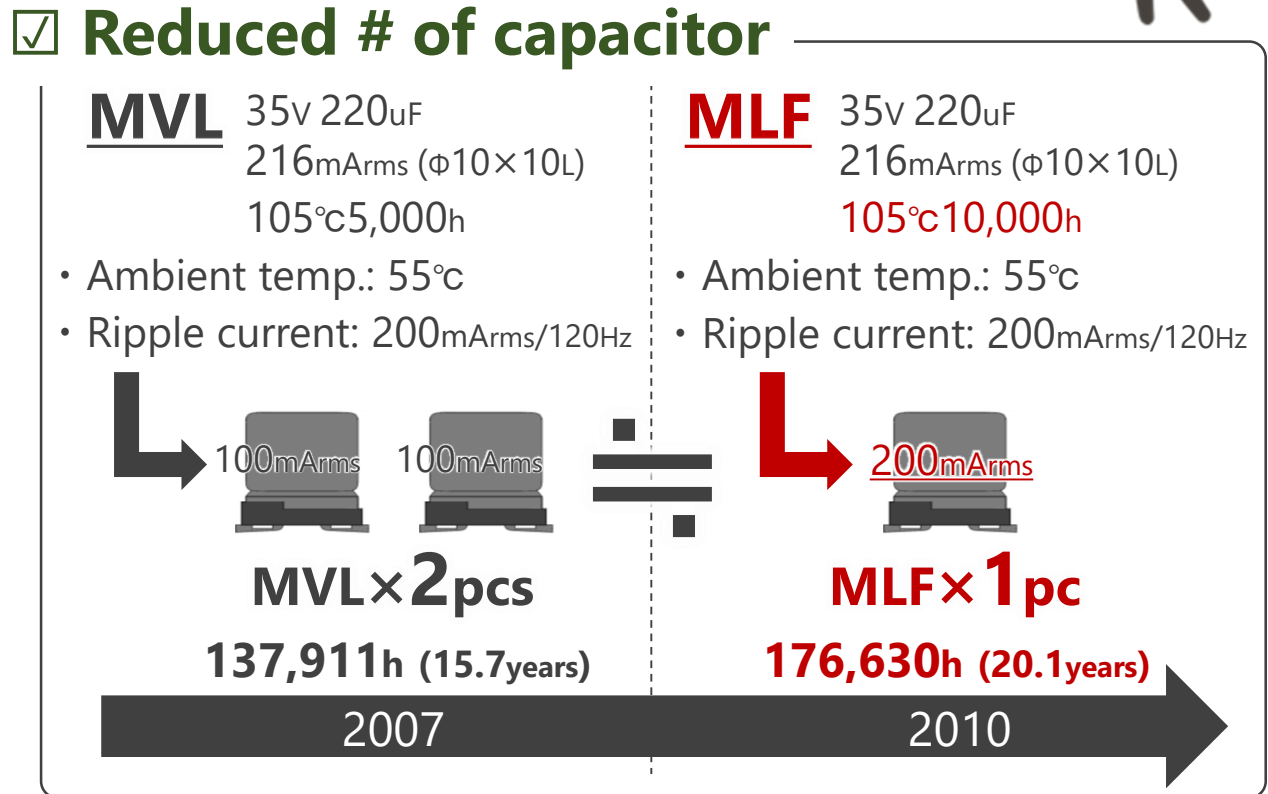
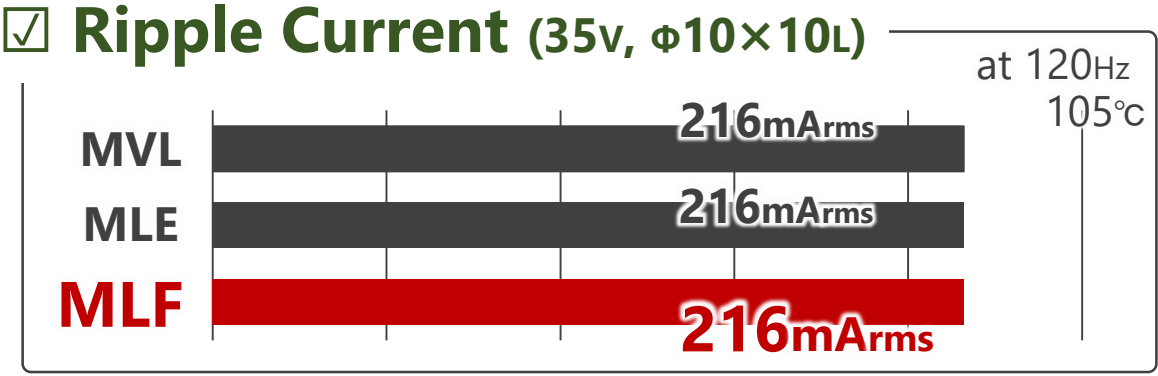
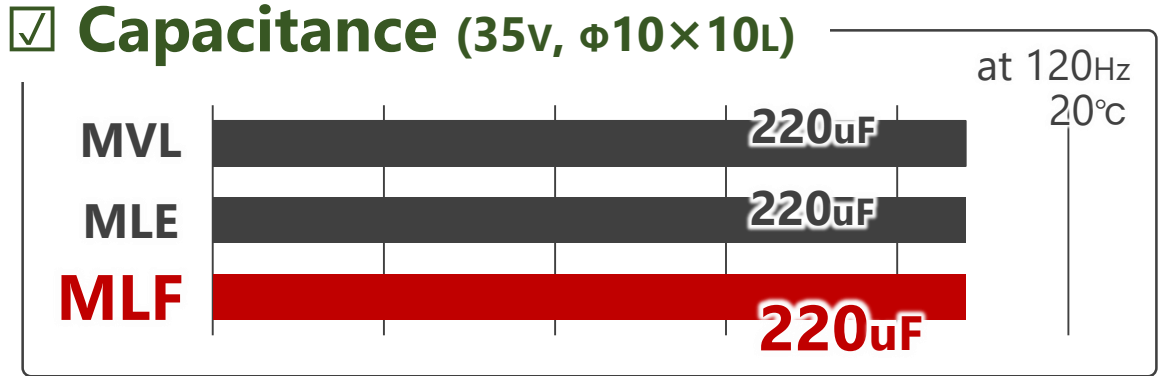
✓ Advantage from MVL/MLE to MLF



Longer lifetime (5,000/8,000h ⇒ 10,000h)

● Benefit/Evidence

- ➔ **Longer Life** . . . **Reduced # of capacitor**
- . . . **Longer equipment lifetime**



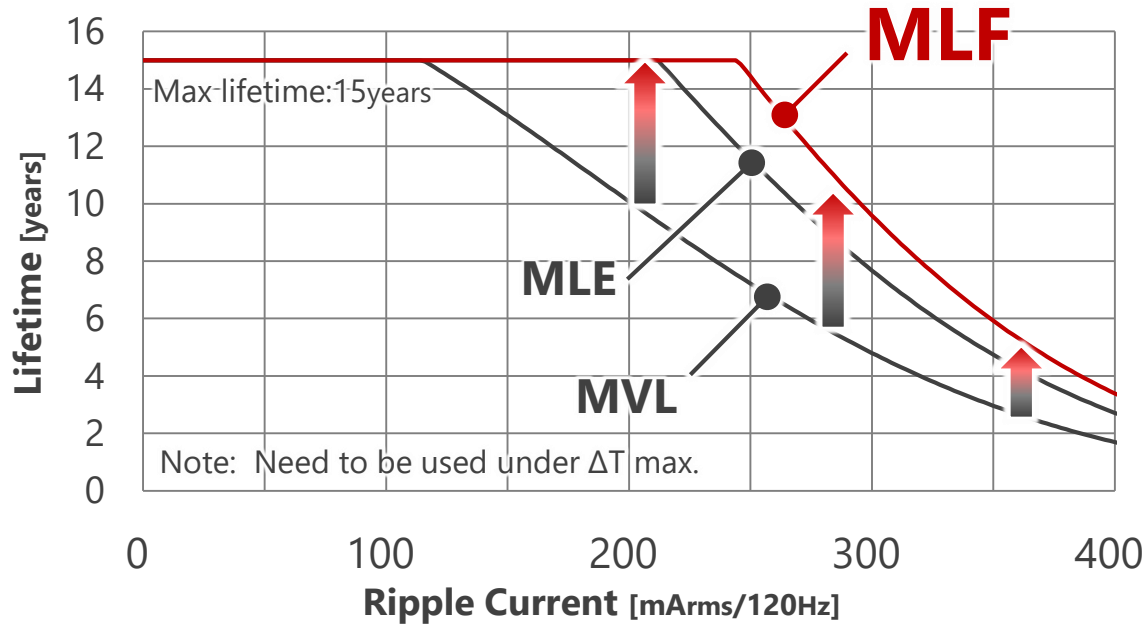
● Benefit/Evidence

- ➔ **Longer Life** . . . Reduced # of capacitor
- . . . Longer equipment lifetime



☑ Lifetime comparison (35V 220 μ F, ϕ 10 \times 10L, 216mA_{rms}/120Hz)

① Ambient temperature: 55 $^{\circ}$ C



② Ripple current: 200mA_{rms}/120Hz

