

● **Feature**

- ☑ Endurance : **105°C 5,000h** (with ripple)
- ☑ Voltage : 160V_{dc} to 600V_{dc}
- ☑ Capacitance : 82μF to 3,300μF
- ☑ Size : φ22×25L to φ35×60L
- ☑ **One size smaller** than LXQ series

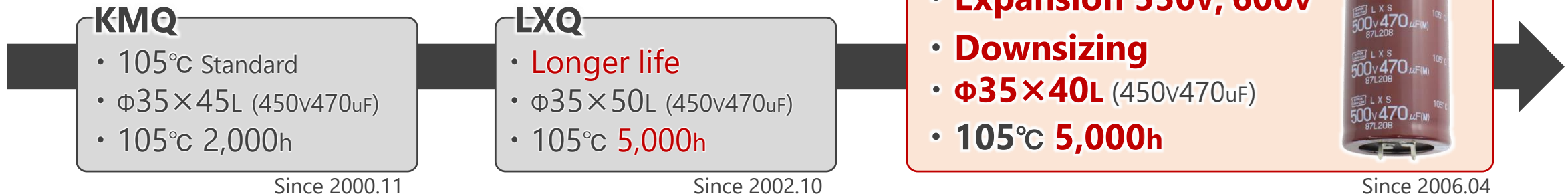
● **Recommended Application**

- ☑ For general / Server power supply (Input filtering, PFC circuit)
- ☑ For PV(solar) inverter
- ☑ For inverter (DC Link)

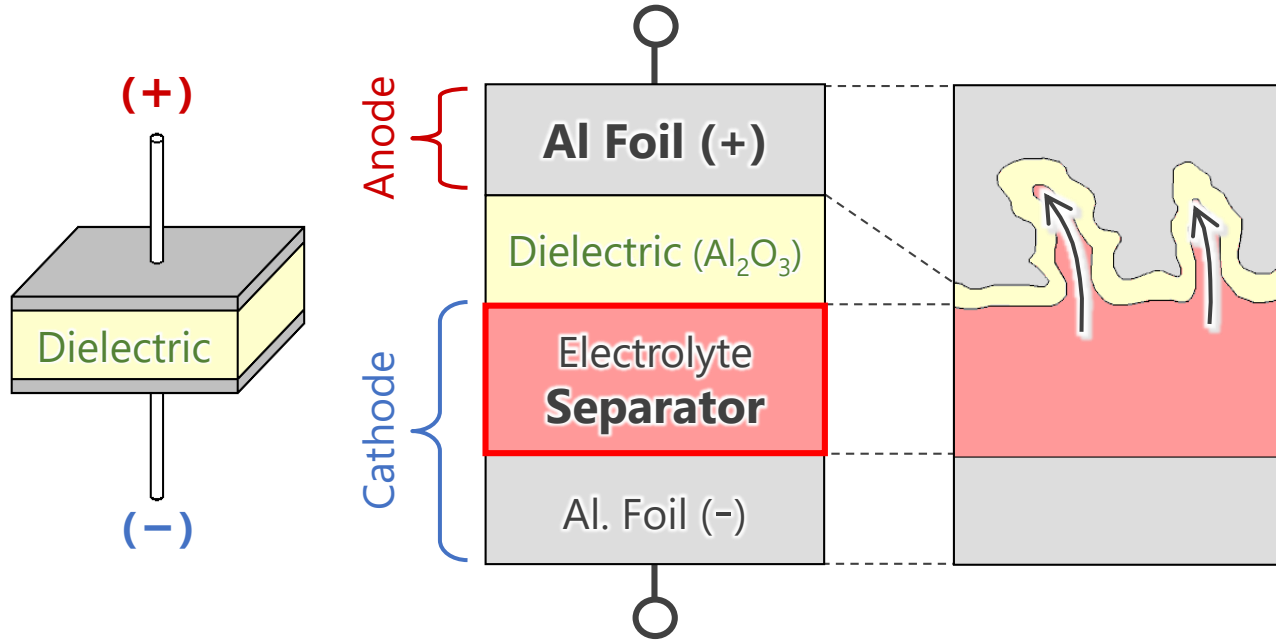
● **Product Chart**

☑ **Recommended to replace from LXQ to LXS**

*Line up for downsizing and longer life (Snap-in type)



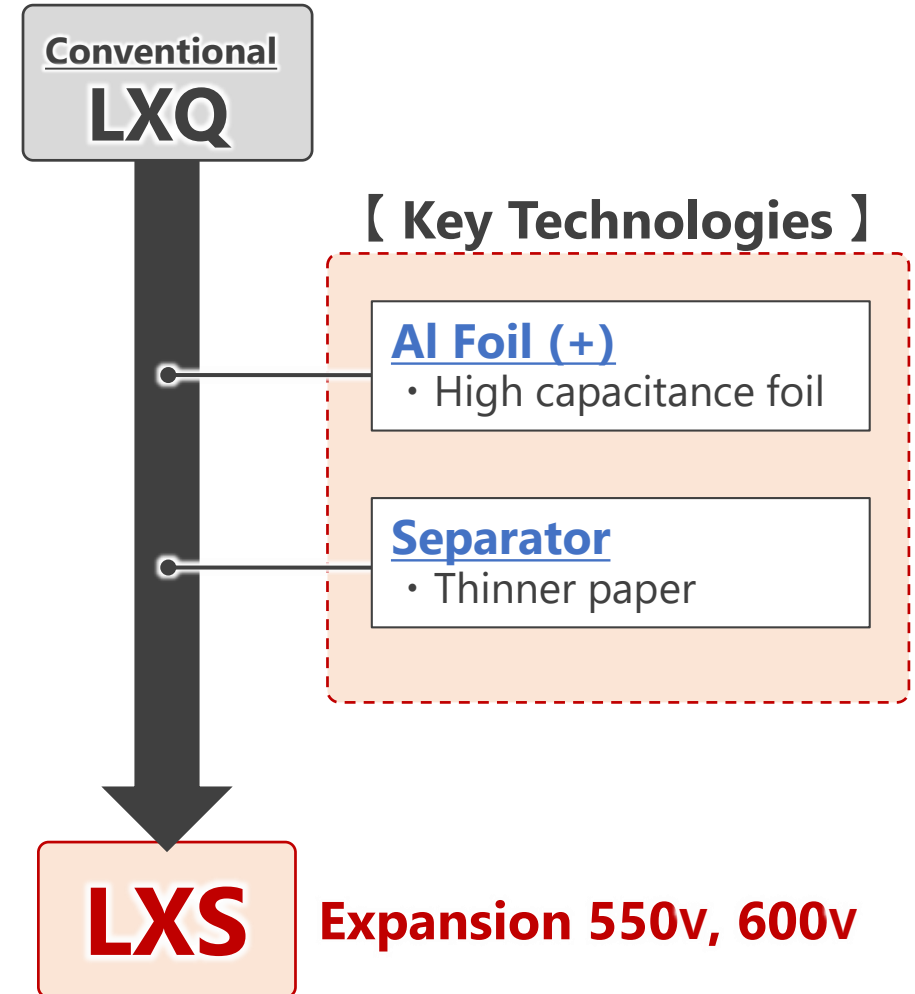
● Advantage



✓ Three advantages from LXQ to LXS



- ① Downsizing
- ② Higher voltage
- ③ Higher capacitance

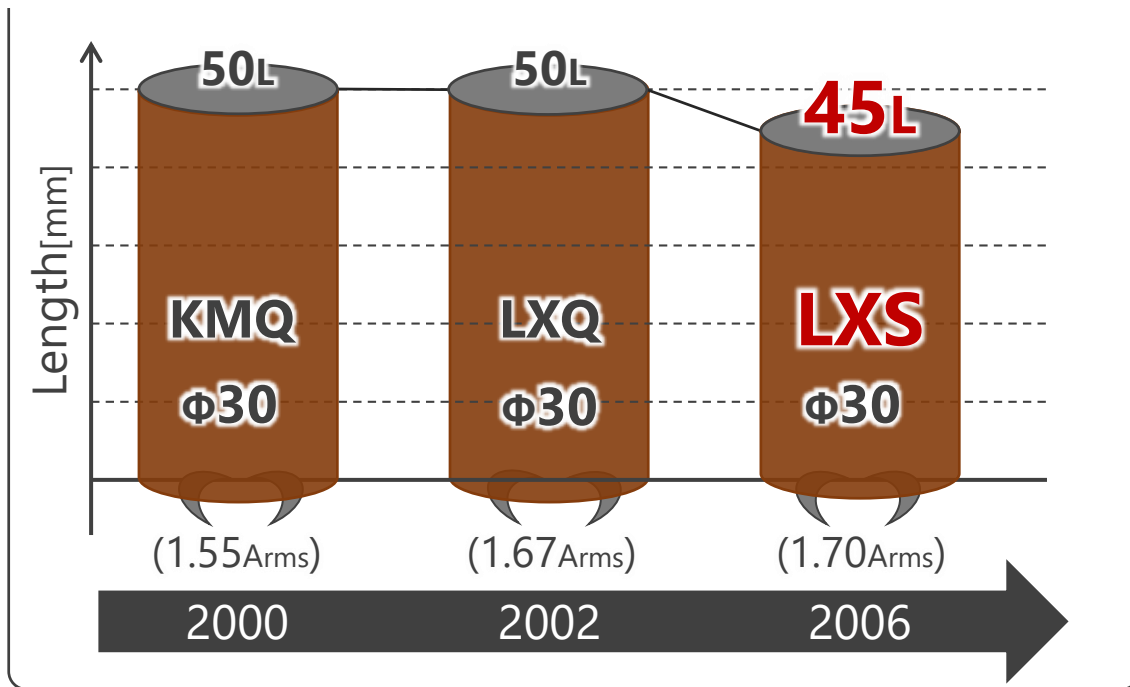


● **Benefit/Evidence**

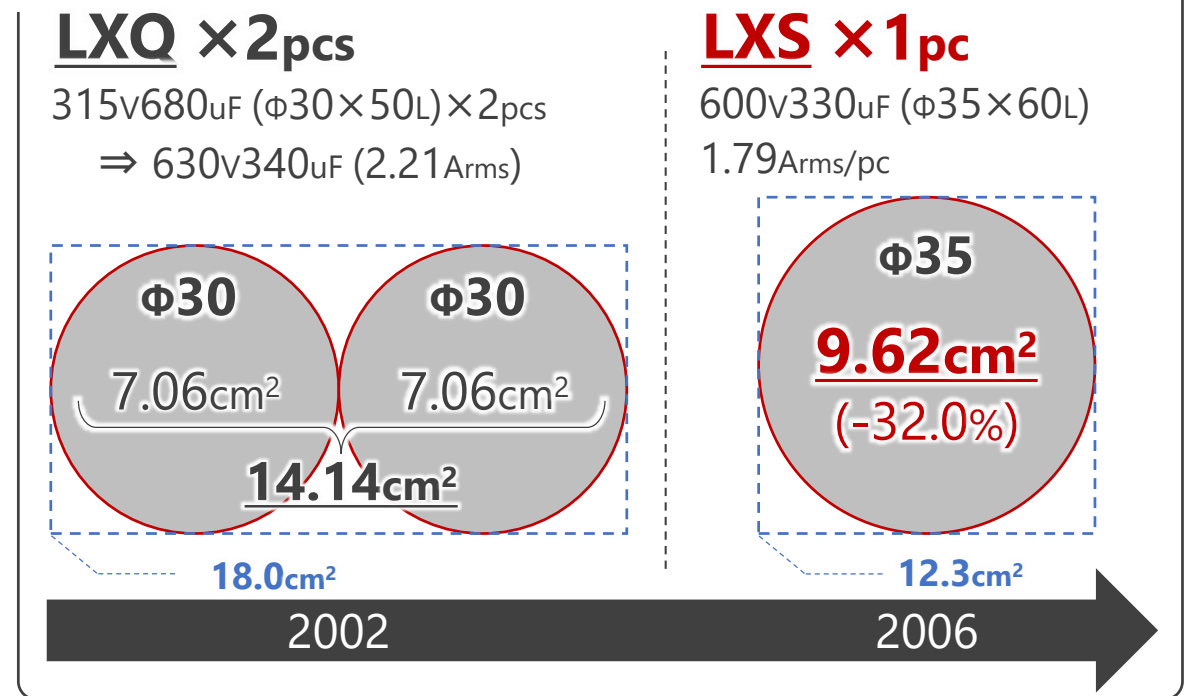
- ➔ ① **Downsizing** / ② **Higher voltage** · · · **Equipment downsizing, Low height, Light weight, Space saving**
③ **Higher capacitance** · · · **Longer equipment life**



☑ **Downsizing (450V390μF, φ30)**



☑ **Reduced area (315V×2series vs 600V)**



● Benefit/Evidence

- ① Downsizing/② Higher voltage · · Equipment downsizing, Low height, Light weight, Space saving
- ➔ ③ Higher capacitance · · · Longer equipment life

