

● Feature

- ☑ Endurance: **105°C 10,000h / 12,000h** (with ripple)
- ☑ Rated voltage: 400V_{dc} / 420V_{dc} / 450V_{dc}
- ☑ Capacitance: 47 μ F to 180 μ F
- ☑ Size: ϕ 16×20L to ϕ 18×45L
- ☑ **Higher capacitance** than KXJ series

● Recommended Application

- ☑ OBC circuit for automotive
- ☑ For PFC circuit
- ☑ High reliability usage



● Product Chart

- ☑ **Recommended to replace in KXJ to KXQ**

*Line up for 105°C High ripple/Long life
(160v and more, Radial lead type)

KMQ

- 105°C Standard
- **100 μ F** (450v, ϕ 18×40L)
- 105°C 2,000h

Since 2001.06

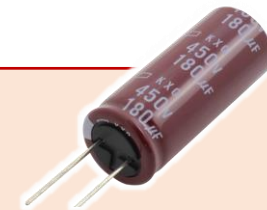
KXJ

- Downsizing/Longer life
- **120 μ F** (450v, ϕ 18×45L)
- 105°C 8,000 to 12,000h

Since 2005.12

NEW KXQ

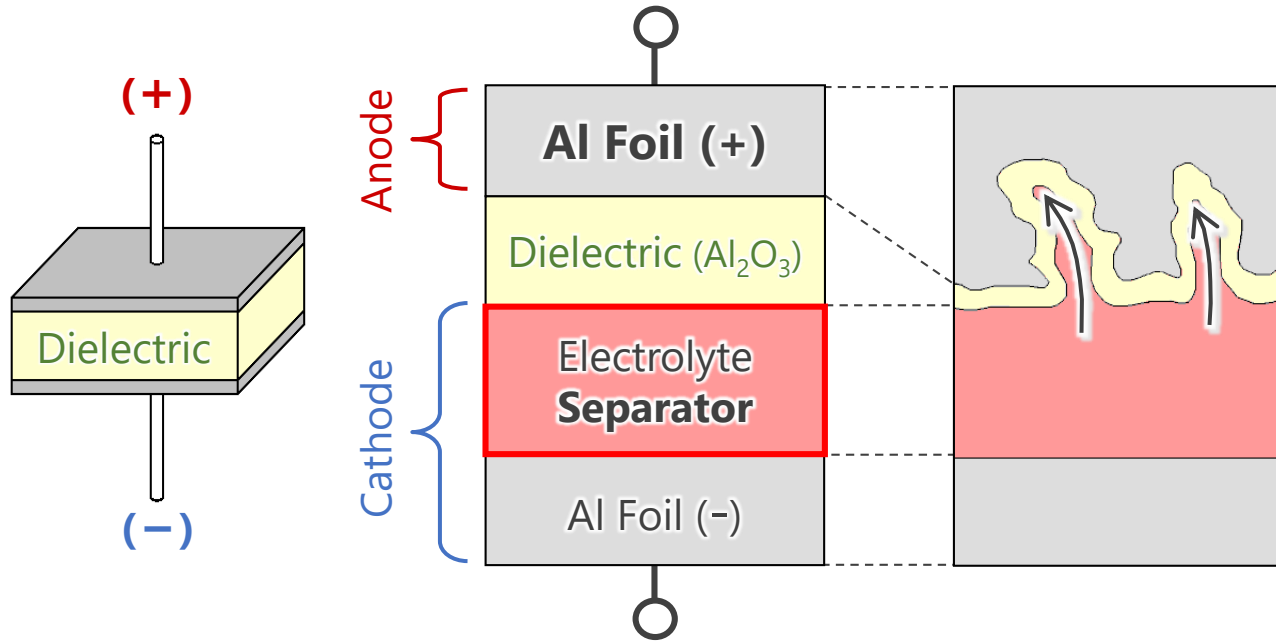
- **High reliability**
- **Downsizing/Higher cap.**
- **180 μ F** (450v, ϕ 18×45L)
- **105°C 10,000h / 12,000h**



Since 2021.04~



● Advantage

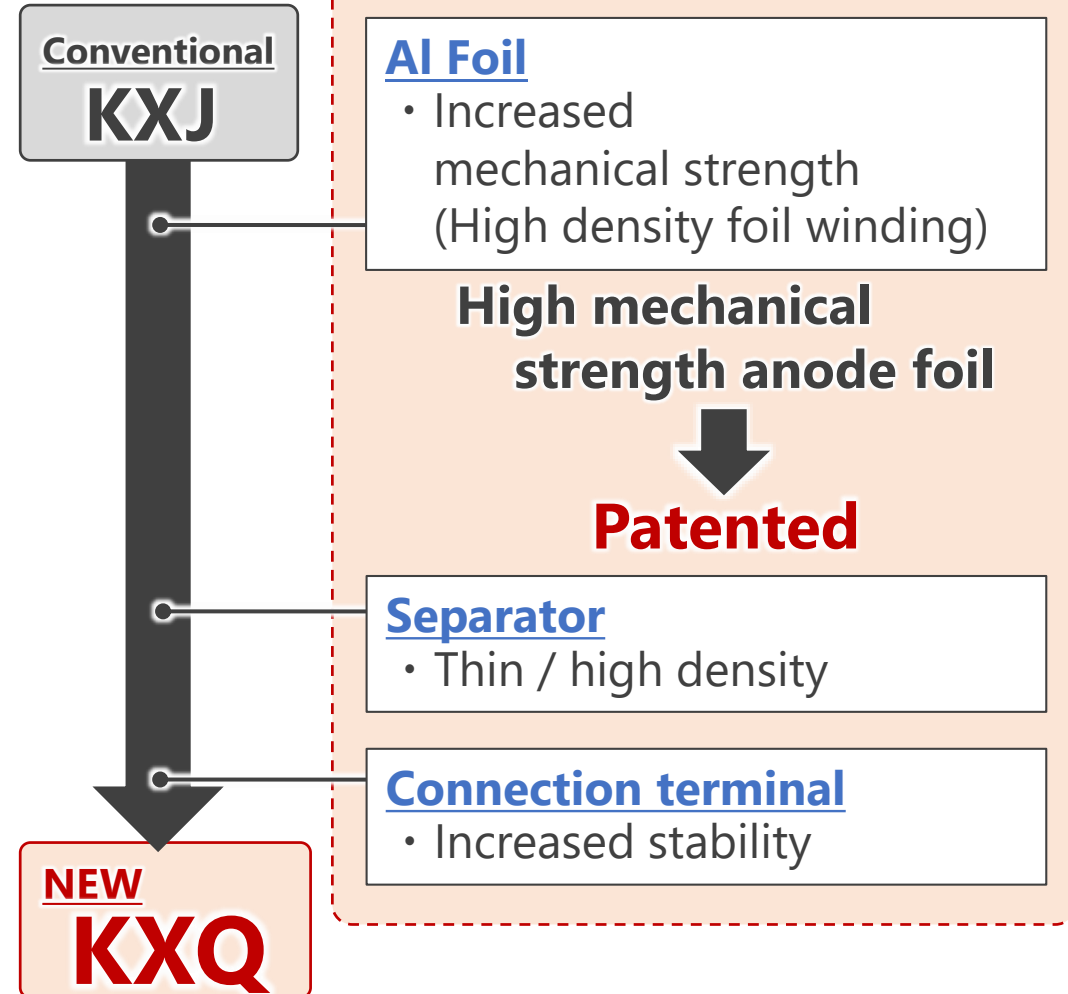


✓ Two advantages from KXJ to KXQ



- ① High reliability
- ② Downsizing

【 Key Technologies 】



● Benefit/Evidence

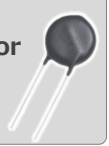
- ➔ ① **High reliability** · · **Realized designing a high reliability equipment (For automotive)**
- ② **Downsizing** · · · · **Equipment downsizing, Reduced # of capacitors and cost**



☑ **Ideal for OBC circuit**

*Interleaved PFC

Noncombustible
Metal Oxide Varistor
SV Series

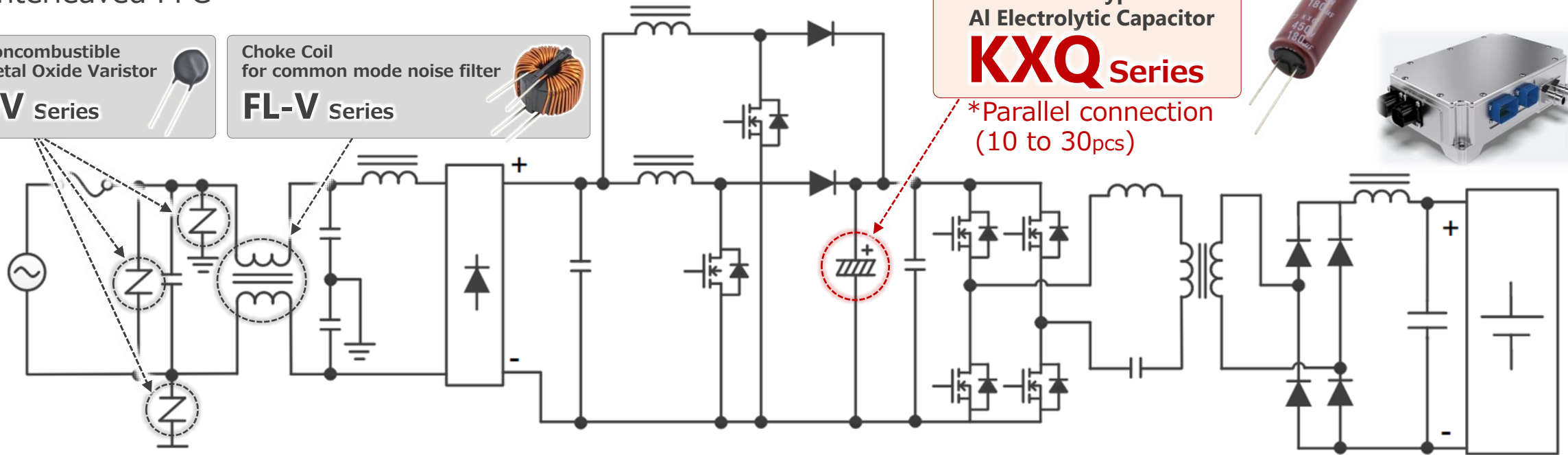
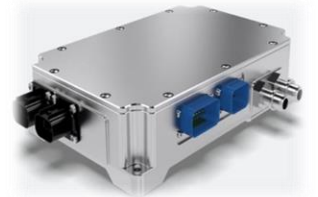


Choke Coil
for common mode noise filter
FL-V Series



Smoothing output current
Radial Lead Type
Al Electrolytic Capacitor
KXQ Series

*Parallel connection
(10 to 30pcs)



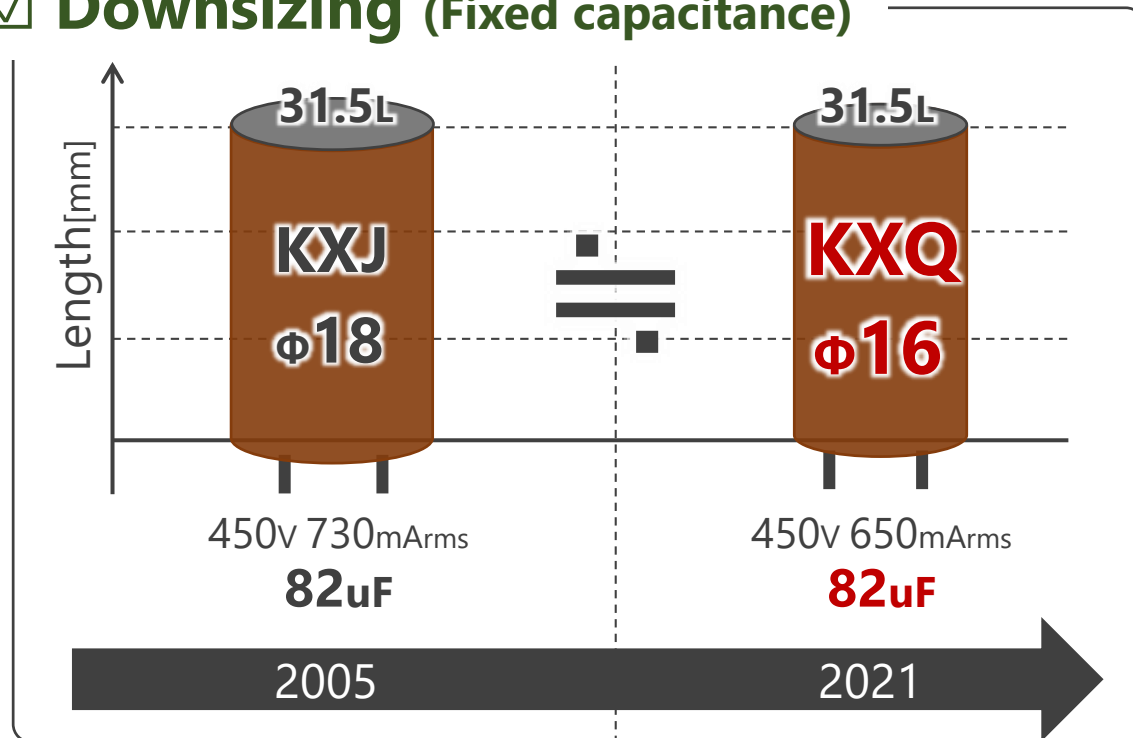
● Benefit/Evidence

① High reliability · · Realized designing a high reliability equipment (For automotive)

➔ ② **Downsizing** · · · · **Equipment downsizing, Reduced # of capacitors and cost**



☑ **Downsizing (Fixed capacitance)**



☑ **Reduced number (Fixed total capacitance)**

