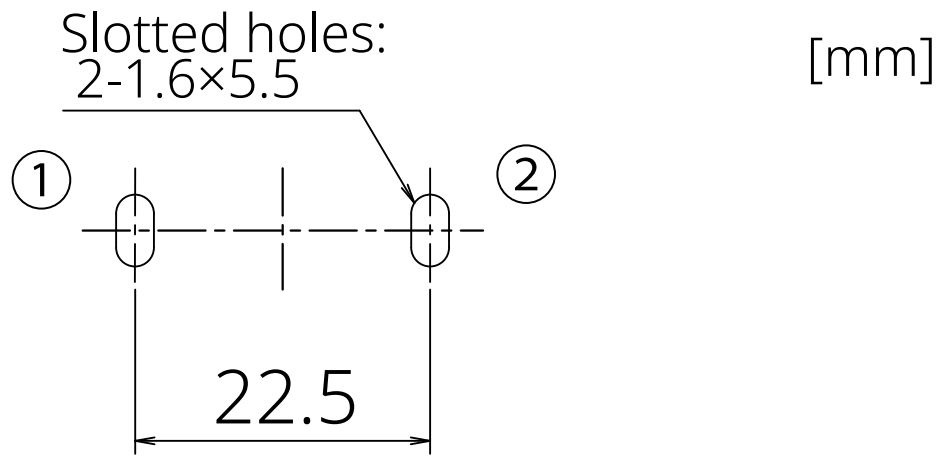




No.U21H100002-104

PC board pin-out

Item:LACM020400G8-V0E
Normal Mode Choke Coil



Wire: ϕ 1.0-4P

Wiring Diagram

