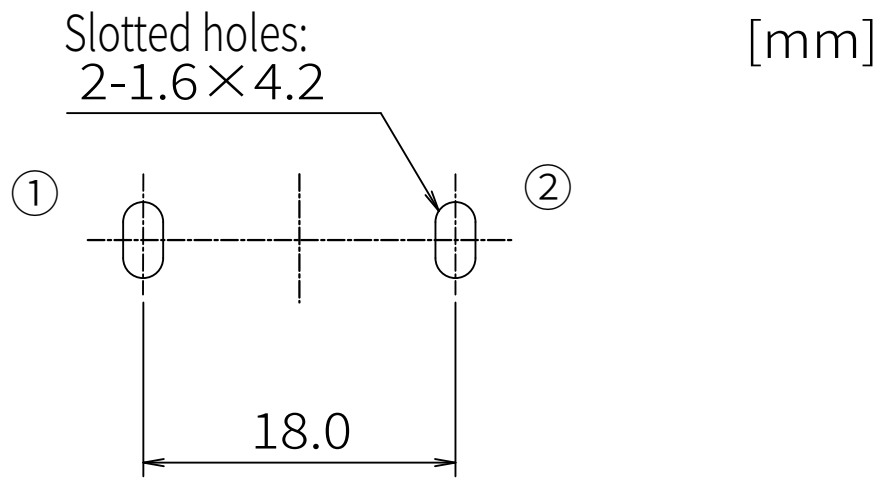


# PC board pin-out

Item:LACM015500G7-V0E

Normal Mode Choke Coil



Wire:  $\phi 1.0$ -3P

