

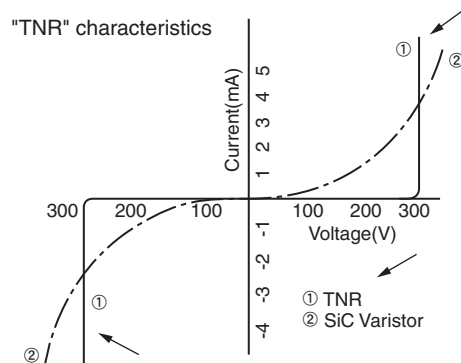
TNR is a "NEW" metal oxide varistor having steep non-linear V-I characteristics and high discharge current capability, as follows:

◆TNR Features

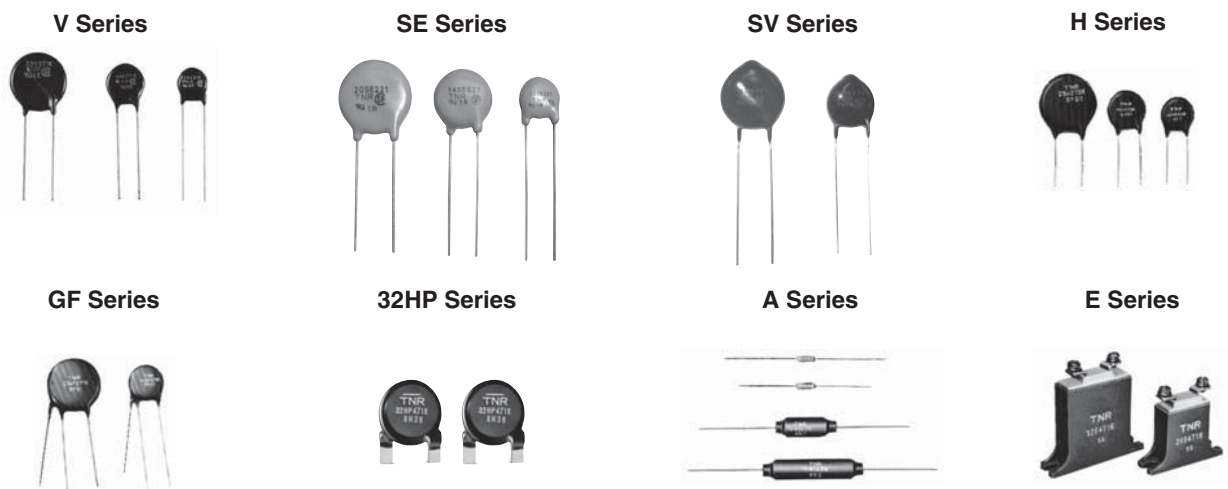
1. Excellent transient voltage suppression
2. High discharge current capability
3. Wide range of voltage ratings
4. Symmetrical V-I characteristics (Non Polarity)
5. Fast response
6. Steady operation for repeating surge
7. Low temperature coefficient
8. High reliability
9. UL recognized
10. CSA recognized

◆Applications

1. Electronics instrument protection
2. Telephone system protection
3. Relay contact point protection
4. Rectification diode protection
5. SCR protection
6. Reduction of abnormal voltage in high voltage current
7. Switching transistor protection
8. Reduction of switching surge in electromagnetic brake
9. Prevention of error in digital circuit
10. Reduction of noise from an abnormal voltage

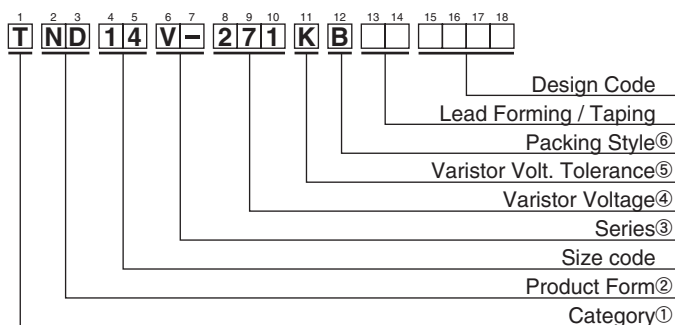


◆Group Chart



◆Part Numbering System

The current parts numbering system is changed to new system for global coding. Your cooperation will be very much appreciated.



①Category	
T	Metal Oxide Varistors TNR
②Product Form	
ND	Disk Type
NL	Sleeve Type
③Series	
V-	V Series

④Varistor Voltage	
The first two digits are significant figures and the third one denotes the number of following zeros.	
⑤Varistor Volt. Tolerance	
K	±10%
⑥Packing Style	
B	Bulk
T	Taping