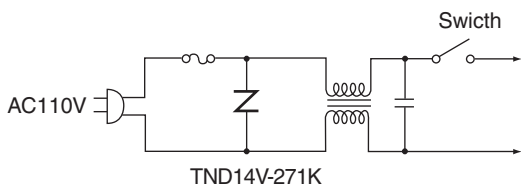
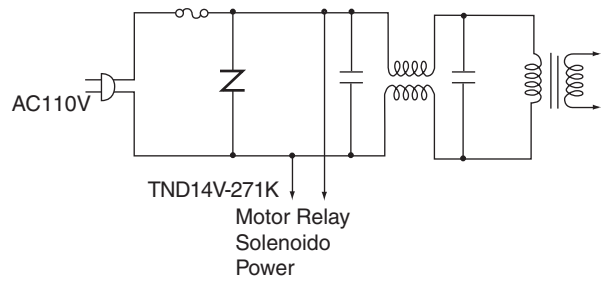


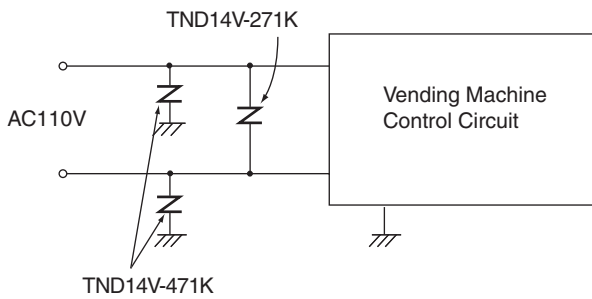
(1) Power Source Circuit



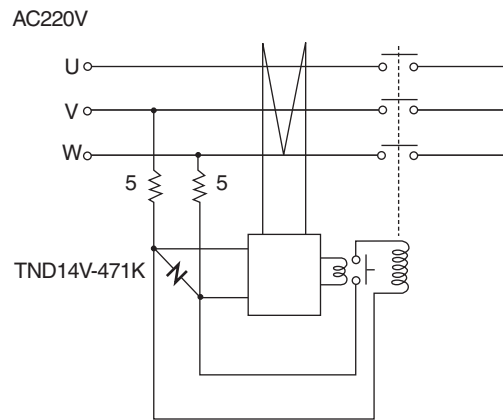
(2) Micro Computer Equipment



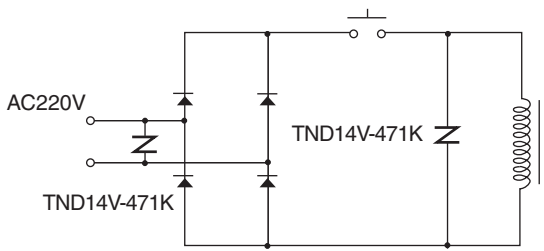
(3) Vending Machine



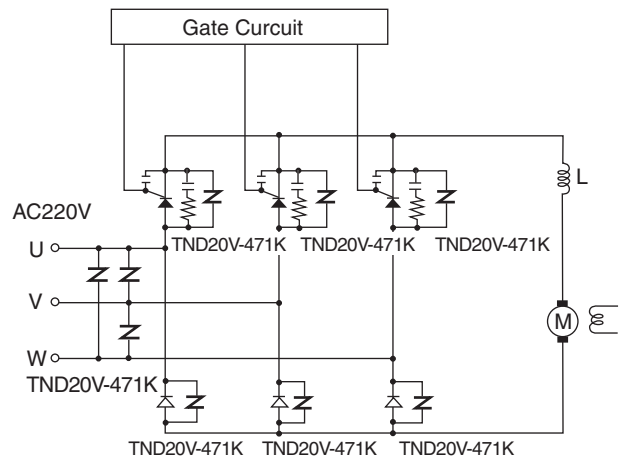
(4) Leakage Current Detector



(5) Magnetic Brake



(6) Control of 20kW DC Motor



(7) Telephone

