

TACE Series



- Maximum operating temperature 105°C.
- Allowable temperature rise 15K max.
- Tab : 4 terminals

◆ SPECIFICATIONS

Items	Characteristics										
Category temperature range	-40 to +105°C										
Rated voltage range	250V _{dc} , 400V _{dc} , 630V _{dc} , 1000V _{dc}										
Capacitance tolerance	±5% (J)										
Voltage proof (Terminal - Terminal)	No degradation, at 150% of rated voltage shall be applied for 60 seconds.										
Dissipation factor (tanδ)	Not more than 0.05% : Equal or less than 1μF. Not more than (c×0.015+0.05)% : More than 1μF.										
Insulation resistance (Terminal - Terminal)	No less than 30000MΩ : Equal or less than 0.33μF. No less than 10000ΩF : More than 0.33μF.										
	<table border="1"> <tr> <td>Rated voltage (V_{dc})</td> <td>250</td> <td>400</td> <td>630</td> <td>1000</td> </tr> <tr> <td>Measurement voltage (V_{dc})</td> <td>100</td> <td>100</td> <td>500</td> <td>500</td> </tr> </table>	Rated voltage (V _{dc})	250	400	630	1000	Measurement voltage (V _{dc})	100	100	500	500
Rated voltage (V _{dc})	250	400	630	1000							
Measurement voltage (V _{dc})	100	100	500	500							
Endurance	The following specifications shall be satisfied, after 1000hrs with applying rated voltage×125% at 105°C.										
	<table border="1"> <tr> <td>Appearance</td> <td>No serious degradation</td> </tr> <tr> <td>Insulation resistance (Terminal - Terminal)</td> <td>No less than 10000MΩ : Equal or less than 0.33μF. No less than 3000ΩF : More than 0.33μF.</td> </tr> <tr> <td>Dissipation factor (tanδ)</td> <td>No more than initial specification at 1kHz.</td> </tr> <tr> <td>Capacitance change</td> <td>Within ±5% of initial value.</td> </tr> </table>	Appearance	No serious degradation	Insulation resistance (Terminal - Terminal)	No less than 10000MΩ : Equal or less than 0.33μF. No less than 3000ΩF : More than 0.33μF.	Dissipation factor (tanδ)	No more than initial specification at 1kHz.	Capacitance change	Within ±5% of initial value.		
Appearance	No serious degradation										
Insulation resistance (Terminal - Terminal)	No less than 10000MΩ : Equal or less than 0.33μF. No less than 3000ΩF : More than 0.33μF.										
Dissipation factor (tanδ)	No more than initial specification at 1kHz.										
Capacitance change	Within ±5% of initial value.										
Loading under damp heat	The following specifications shall be satisfied, after 500hrs with applying rated voltage at 40°C90~95%RH.										
	<table border="1"> <tr> <td>Appearance</td> <td>No serious degradation.</td> </tr> <tr> <td>Insulation resistance (Terminal - Terminal)</td> <td>No less than 10000MΩ : Equal or less than 0.33μF. No less than 3000ΩF : More than 0.33μF.</td> </tr> <tr> <td>Dissipation factor (tanδ)</td> <td>No more than initial specification at 1kHz.</td> </tr> <tr> <td>Capacitance change</td> <td>Within ±5% of initial value.</td> </tr> </table>	Appearance	No serious degradation.	Insulation resistance (Terminal - Terminal)	No less than 10000MΩ : Equal or less than 0.33μF. No less than 3000ΩF : More than 0.33μF.	Dissipation factor (tanδ)	No more than initial specification at 1kHz.	Capacitance change	Within ±5% of initial value.		
Appearance	No serious degradation.										
Insulation resistance (Terminal - Terminal)	No less than 10000MΩ : Equal or less than 0.33μF. No less than 3000ΩF : More than 0.33μF.										
Dissipation factor (tanδ)	No more than initial specification at 1kHz.										
Capacitance change	Within ±5% of initial value.										

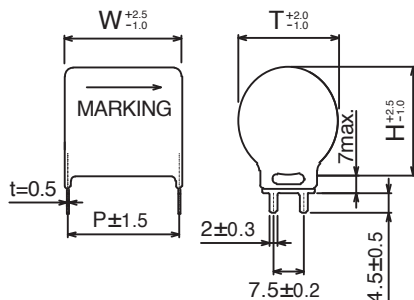
◆ STANDARD RATINGS

WV (Vdc)	Cap (μF)	Dimensions (mm)				Maximum ripple current (Arms)	WV (Vac)	Part Number
		W	H	T	P			
250	15	24.5	30.0	28.6	22.5	14.3	100	FTACE251N156JEAES0
	18		32.8	31.2		15.6		FTACE251N186JEAES0
	22	29.5	31.9	30.4	27.5	14.2		FTACE251N226JFAFS0
400	6.8	24.5	29.0	27.6	22.5	11.9	150	FTACE401N685JEAES0
	8.2		31.6	30.1		13.1		FTACE401N825JEAES0
	10	29.5	30.9	29.4	27.5	11.8		FTACE401N106JFAFS0
	12		33.6	32.0		13.0		FTACE401N126JFAFS0
630	0.47	17.5	16.5	15.7	15.0	5.9	175	FTACE631N474JDADS0
	0.68		19.3	18.4		7.1		FTACE631N684JDADS0
	1.0		23.0	22.0		8.6		FTACE631N105JDADS0
	1.5	19.5	25.5	24.3	17.5	9.2		FTACE631N155JHAHS0
	2.2	24.5	25.7	24.5		8.6		FTACE631N226JEAES0
	3.3		31.0	29.5		10.6		FTACE631N335JEAES0
4.7	29.5	32.4	30.8	27.5	10.4	FTACE631N475JFAFS0		
1000	0.47	19.5	24.0	22.9	17.5	6.9	250	FTACE102N474JHAHS0
	0.68		28.5	27.1		7.3		FTACE102N684JHAHS0
	1.0	24.5	28.3	27.0	22.5	7.1		FTACE102N105JEAES0
	1.5	29.5	30.1	28.7	27.5	7.3		FTACE102N155JFAFS0

(1) The maximum ripple current : +85°C max., 100kHz, sine wave

(2) WV(Vac) : 50Hz or 60Hz, sine wave

◆ DIMENSIONS



The recommended conditions for mounting.

