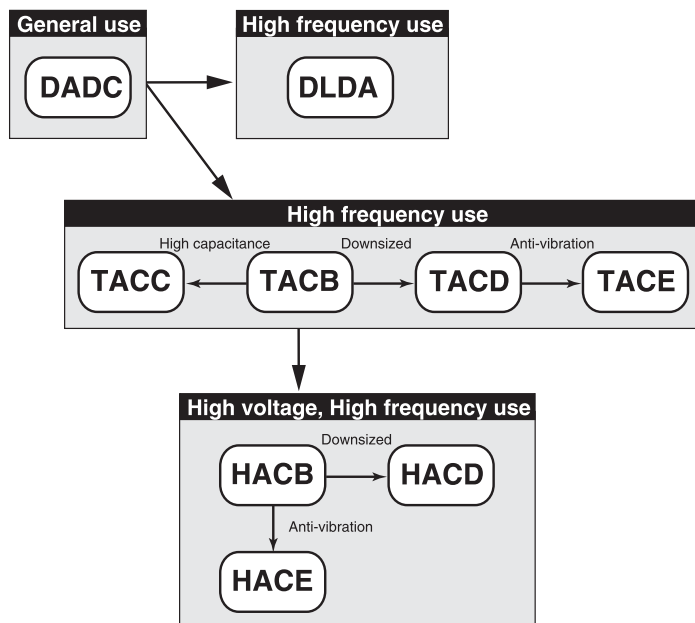


Series	Major uses	Rated voltage range	Rated Capacitance range (μF)	Category temperature range (°C)
TACE	High frequency use, metallized polypropylene film. Permissible large current and anti-vibration	250 to 1000 V _{dc}	0.47 to 22	-40 to +105
TACD	High frequency use, metallized polypropylene film. Standard type (Downsizing of TACB series)	250 to 1000 V _{dc}	0.033 to 22	-40 to +105
TACC	High frequency use, metallized polypropylene film. Large capacitance type of TACB series	450 to 1000 V _{dc}	1.0 to 18	-40 to +105
TACB	High frequency use, metallized polypropylene film.	250 to 800 V _{dc}	0.033 to 22	-40 to +105
HACE	High frequency use, metallized polypropylene film. High voltage type and anti-vibration	630 to 2000 V _{dc}	0.18 to 1.5	-40 to +105
HACD	High frequency use, metallized polypropylene film. High voltage type of TACD series (Downsizing of HACB series)	630 to 4000 V _{dc}	0.0033 to 1.5	-40 to +105
HACB	High frequency use, metallized polypropylene film. High voltage type of TACB series	630 to 4000 V _{dc}	0.001 to 1.2	-40 to +105
DADC	High frequency use, metallized polypropylene film. For general use	250 to 630 V _{dc}	0.01 to 4.7	-40 to +105
DLDA	High frequency use, metallized polypropylene film. For resonance circuit use	800 to 1800 VH	0.001 to 0.1	-40 to +105
DFDD	General use, metallized polyester film. Resin dipped wound type, small size	250 to 630 V _{dc}	0.01 to 2.2	-40 to +105

◆Metallized polypropylene film capacitors



◆Metallized polyester film capacitors

