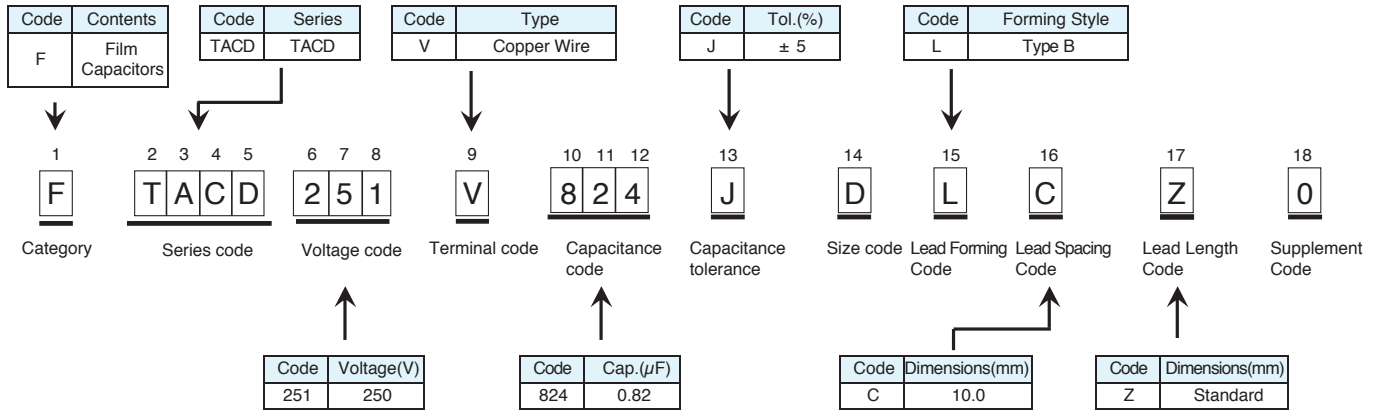


Part Numbering System

(Example:TACD series 250V 0.82μF)



\*Others (Refer to the standard ratings .)

(Series code)

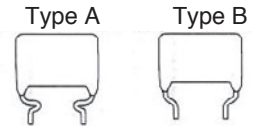
Code	Series name	Code	Series name
TACE	TACE	HACD	HACD
TACD	TACD	HACB	HACB
TACC	TACC		
TACB	TACB		
HACE	HACE		

(Size code)

This is eigenvalue. The details are standard ratings.

(Lead Forming Code)

Code	Type
A	Straight lead
F	Type A
L	Type B



(Voltage code)

Code	Voltage(V)	Code	Voltage(V)	Code	Voltage(V)
251	250	801	800	182	1800
3B1	315	102	1000	202	2000
401	400	1C2	1250	252	2500
501	500	152	1500	3B2	3150
631	630	162	1600	402	4000

(Lead Spacing Code)

Code	Dimensions(mm)
B	7.5
C	10.0
G	12.5
D	15.0
O	16.5
H	17.5
N	20.0
1	21.5
E	22.5

コード	Dimensions(mm)
P	25.0
2	26.5
F	27.5
Q	30.0
J	37.5
4	41.5
W	47.5
5	51.5

(Terminal code)

Code	Terminal
V	Tin plated copper wire
U	Tin plated copper clad steel wire
N	4 terminals tab

(Capacitance code)

Unit of capacitance with (pF),and a sign of capacitance expresses it in 3 characters.  
significant digit(two columns) + index(one column) unit : pF  
(Example :1μF[1,000,000pF]="105")

(Lead Length Code)

Code	Dimensions(mm)
M	5.0
S	Special
Z	Standard

(Capacitance tolerance code)

Code	tolerance(%)
H	±3
J	±5
K	±10

(Supplement Code)

This is eigenvalue. The details are standard ratings.