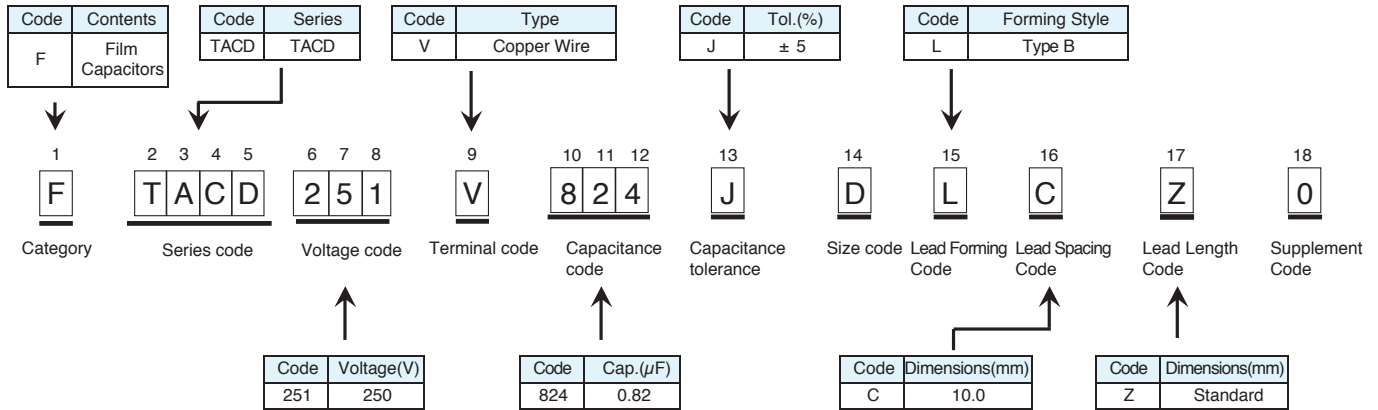


Part Numbering System

(Example:TACD series 250V 0.82μF)



*Others (Refer to the standard ratings .)

(Series code)

Code	Series name
TACE	TACE
TACD	TACD
TACC	TACC
TACB	TACB
HACE	HACE

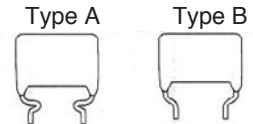
Code	Series name
HACD	HACD
HACB	HACB

(Size code)

This is eigenvalue. The details are standard ratings.

(Lead Forming Code)

Code	Type
A	Straight lead
F	Type A
L	Type B



(Voltage code)

Code	Voltage(V)
251	250
3B1	315
401	400
501	500
631	630

Code	Voltage(V)
801	800
102	1000
1C2	1250
152	1500
162	1600

Code	Voltage(V)
182	1800
202	2000
252	2500
3B2	3150
402	4000

(Lead Spacing Code)

Code	Dimensions(mm)
B	7.5
C	10.0
G	12.5
D	15.0
O	16.5
H	17.5
N	20.0
1	21.5
E	22.5

コード	Dimensions(mm)
P	25.0
2	26.5
F	27.5
Q	30.0
J	37.5
4	41.5
W	47.5
5	51.5

(Terminal code)

Code	Terminal
V	Tin plated copper wire
U	Tin plated copper clad steel wire
N	4 terminals tab

(Capacitance code)

Unit of capacitance with (pF),and a sign of capacitance expresses it in 3 characters.
 significant digit(two columns) + index(one column) unit : pF
 (Example :1μF[1,000,000pF]="105")

(Capacitance tolerance code)

Code	tolerance(%)
H	±3
J	±5
K	±10

(Lead Length Code)

Code	Dimensions(mm)
M	5.0
S	Special
Z	Standard

(Supplement Code)

This is eigenvalue. The details are standard ratings.