

HACE Series



- Maximum operating temperature 105°C.
- A little hum is produced when applied AC voltage.
- Tab : 4 terminals

◆ SPECIFICATIONS

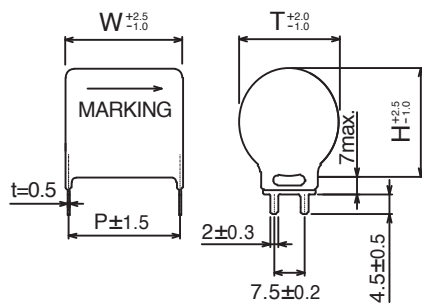
Items	Characteristics			
Category temperature range	-40 to +105°C			
Rated voltage range	630V _{dc} , 1250V _{dc} , 1600V _{dc} , 2000V _{dc}			
Capacitance tolerance	±5%(J)			
Voltage proof (Terminal - Terminal)	No degradation, at 150% of rated voltage shall be applied for 60 seconds.			
Dissipation factor (tanδ)	No more than 0.05% : Equal or less than 1μF. No more than (c×0.015+0.05)% : More than 1μF.			
Insulation resistance (Terminal - Terminal)	No less than 30000MΩ : Equal or less than 0.33μF.			
	No less than 10000ΩF : More than 0.33μF.			
	Rated voltage (V _{dc})	630	1250	2000
	Measurement voltage (V _{dc})	500	1000	1000
Endurance	The following specifications shall be satisfied, after 1000hrs with applying rated voltage×125% at 105°C.			
	Appearance	No serious degradation		
	Insulation resistance (Terminal - Terminal)	No less than 10000MΩ : Equal or less than 0.33μF.		
		No less than 3000ΩF : More than 0.33μF.		
	Dissipation factor (tanδ)	Not more than initial specification at 1kHz.		
Loading under damp heat	The following specifications shall be satisfied, after 500hrs with applying rated voltage at 40°C 90~95%RH.			
	Appearance	No serious degradation.		
	Insulation resistance (Terminal - Terminal)	No less than 10000MΩ : Equal or less than 0.33μF.		
		No less than 3000ΩF : More than 0.33μF.		
	Dissipation factor (tanδ)	Not more than initial specification at 1kHz.		
	Capacitance change : Within ±5% of initial value.			

◆ STANDARD RATINGS

WV (V _{dc})	Cap (μF)	Dimensions (mm)				Maximum ripple current (Arms)	WV (Vac)	Part Number
		W	H	T	P			
630	0.47	18.5	26.1	24.9	16.5	10.5	300	FHACE631N474J0A0S0
	0.68	23.5	25.3	24.1	21.5	11.1		FHACE631N684J1A1S0
	1.0		29.8	28.3		13.5		FHACE631N105J1A1S0
	1.5		31.5	30.0		26.5		13.5
1250	0.47	28.5	29.1	27.7	26.5	10.1	400	FHACE1C2N474J2A2S0
	0.68		34.5	32.8		12.0		FHACE1C2N684J2A2S0
	1.0	43.5	30.8	29.3	41.5	12.0		FHACE1C2N105J4A4S0
	1.5	53.5	32.5	31.0	51.5	13.5		FHACE1C2N155J5A5S0
1600	0.27	28.5	30.2	28.8	26.5	9.6	450	FHACE162N274J2A2S0
	0.33		33.2	31.6		10.6		FHACE162N334J2A2S0
2000	0.18	28.5	30.8	29.3	26.5	8.8	450	FHACE202N184J2A2S0
	0.22		33.8	32.2		9.7		FHACE202N224J2A2S0

- (1) The maximum ripple current : +85°C max, 100KHz, sine wave
 (2) WV(Vac) : 50Hz or 60Hz, sine wave

◆ DIMENSIONS



The recommended conditions for mounting.

