

New!

DLCAP™ DXG series



- High power density is achieved with our unique electrode process technology.
- DXG series improves the excellent low temperature characteristics, and it also supports high temperature environment (85°C).
- Suitable for electricity storage, battery assistance, short-term backups, etc.
- Also suitable for kinetic energy recapturing, start/stop, low temperature engine cranking application for automobile.

◆ SPECIFICATIONS

Items	Specifications	
Operating Temperature	-40°C ~ +85°C	
Capacitance Tolerance	-0%, +25% (A) (20°C)	
Temperature Characteristics	Capacitance Change	≤ ±30% of the measured value at 20°C
	Internal Resistance Change	≤ 500% of the internal resistance maximum value given in the ratings tables (-40°C)
Load Life Test	After the capacitors are subjected to the rated DC voltage at 85°C for 1500 hours, the following specifications shall be satisfied when they are restored to 20°C.	
	Capacitance Change	≤ ±30% of the capacitance rated value given in the ratings tables
	Internal Resistance Change	≤ 200% of the internal resistance maximum value given in the ratings tables
	After the capacitors are subjected to the rated DC voltage at 70°C for 3000 hours, the following specifications shall be satisfied when they are restored to 20°C.	
	Capacitance Change	≤ ±30% of the capacitance rated value given in the ratings tables
	Internal Resistance Change	≤ 150% of the internal resistance maximum value given in the ratings tables
Bias Humidity Test	After the capacitors are left at 40°C and 90 to 95%RH for 500 hours without voltage applied, the following specifications shall be satisfied when they are restored to 20°C.	
	Capacitance Change	≤ ±30% of the capacitance rated value given in the ratings tables
	Internal Resistance Change	≤ 200% of the internal resistance maximum value given in the ratings tables

◆ STANDARD RATINGS

● DXG series*3

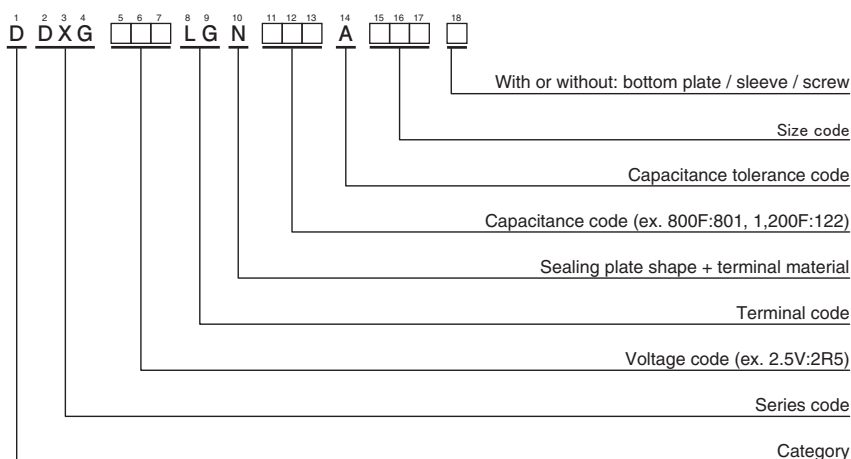
Rated Voltage [V]	Capacitance		Nominal Case Size		Internal Resistance		Weight*1 [g]	Energy Storage*2 [Wh]	Part No.
	Typ. [F]	Min. (Rated) [F]	φ D [mm]	L [mm]	Typ. [mΩ]	Max. [mΩ]			
2.5	330	300	40	65	1.2	1.6	120	0.3	DDXG2R5LGN301EB65S
	650	590		105	0.7	1.0	200	0.6	DDXG2R5LGN591EBA5S
	1000	910		150	0.5	0.7	280	0.8	DDXG2R5LGN911EBF0S

* 1 Reference data

* 2 The energy storage capacity (Wh) described in this product is calculated based on "Guidebook on Transportation of Electric Double Layer Capacitors for Electrical and Electronic Equipment (JEITA)".

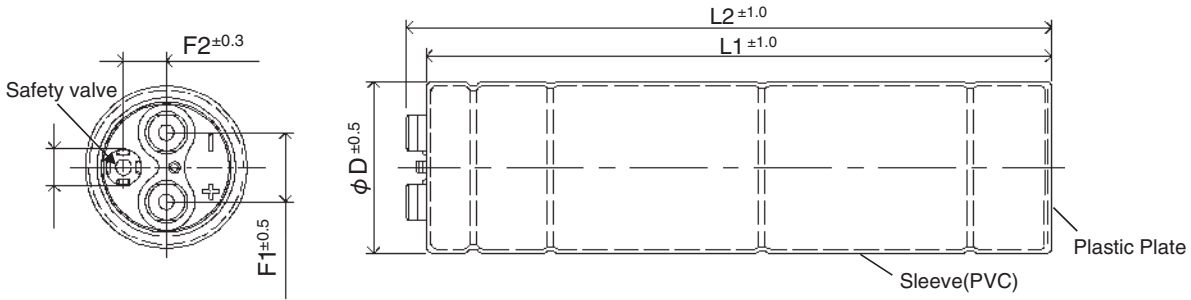
* 3 In the DXG series, the capacity specification are set to the minimum values.

◆ PART NUMBERING SYSTEM



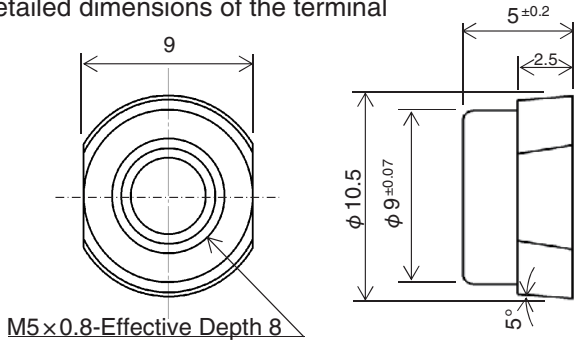
DLCAP™ DXG series

◆ DIMENSIONS (CE331) [mm]



Part No.	φ D [mm]	L 1 [mm]	L 2 [mm]	F 1 [mm]	F 2 [mm]
DDXG2R5LGN301EB65S	40.4	66	71	17.0	10.5
DDXG2R5LGN591EBA5S		106	111		
DDXG2R5LGN911EBF0S		151	156		

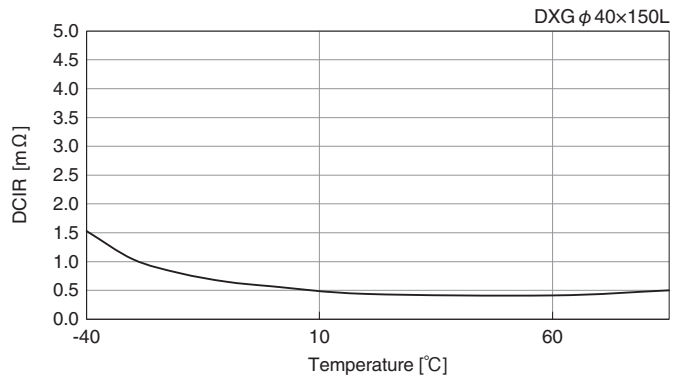
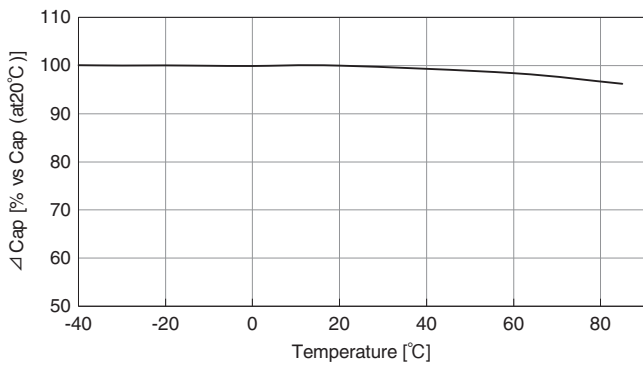
Detailed dimensions of the terminal



< Screw specification >

Plus hexagon-headed screw : M5×0.8×10
Maximum screw tightening torque : 3.23Nm

◆ Temperature Characteristics of Capacitance & DCIR



◆ 85°C Load Life Test

