

New!

## DLCAP™ DXF series

Low  
Resistance

-40°C

2.8V

RoHS2  
Compliant



- High withstand voltage 2.8 V achieved.
- Suitable for electricity storage, battery assistance, short-term backups, etc.
- It can be used at 3.0 V (-40°C~+50°C) by temperature delay.

### ◆ SPECIFICATIONS

Items	Specifications	
Operating Temperature	-40°C ~ +60°C	
Capacitance Tolerance	-0%, +20% (E) (20°C)	
Temperature Characteristics	Capacitance Change	≤ ±30% of the measured value at 20°C
	Internal Resistance Change	≤ 1000% of the internal resistance maximum value given in the ratings tables (-40°C)
Load Life Test	After the capacitors are subjected to the rated DC voltage at 85°C for 1500 hours, the following specifications shall be satisfied when they are restored to 20°C .	
	Capacitance Change	≤ ±30% of the capacitance rated value given in the ratings tables
Bias Humidity Test	After the capacitors are left at 40°C and 90 to 95%RH for 500 hours, without voltage applied, the following specifications shall be satisfied when they are restored to 20°C .	
	Capacitance Change	≤ ±30% of the capacitance rated value given in the ratings tables
	Internal Resistance Change	≤ 300% of the internal resistance maximum value given in the ratings tables

### ◆ STANDARD RATINGS

#### ● DXF series \*3

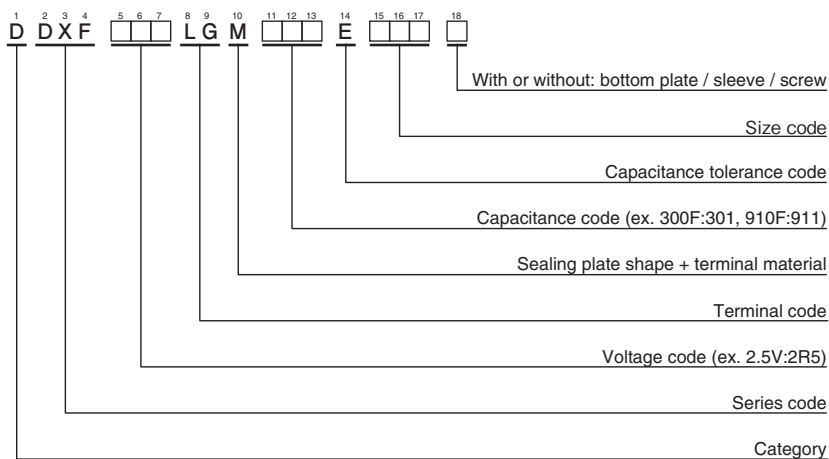
Rated Voltage [V]	Capacitance		Nominal Case Size		Internal Resistance		Weight*1 [g]	Energy Storage*2 [Wh]	Part No.
	Min. (rated) [F]	Typ. [F]	φ D [mm]	L [mm]	Typ. [mΩ]	Max. [mΩ]			
2.8	3150	3500	63.5	172	0.3	0.4	810	3.5	DDXF2R8LGM3B2EDH2S

\* 1 Reference data

\* 2 The energy storage capacity (Wh) described in this product is calculated based on "Guidebook on Transportation of Electric Double Layer Capacitors for Electrical and Electronic Equipment (JEITA)".

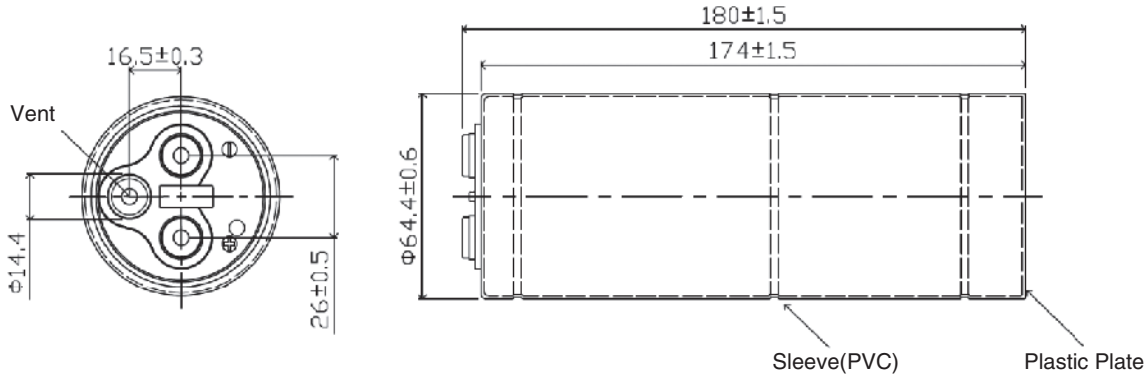
\* 3 In the DXF series, the capacity specification are set to the minimum values.

### ◆ PART NUMBERING SYSTEM

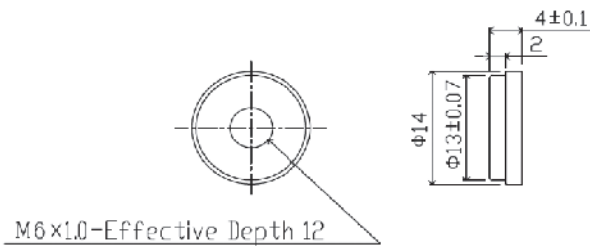


DLCAP™ DXF series

◆ DIMENSIONS [mm]



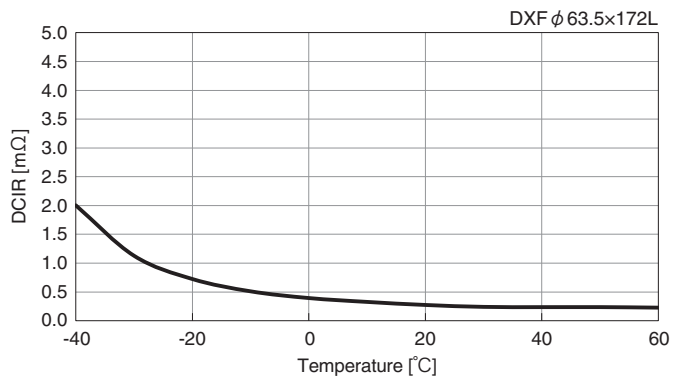
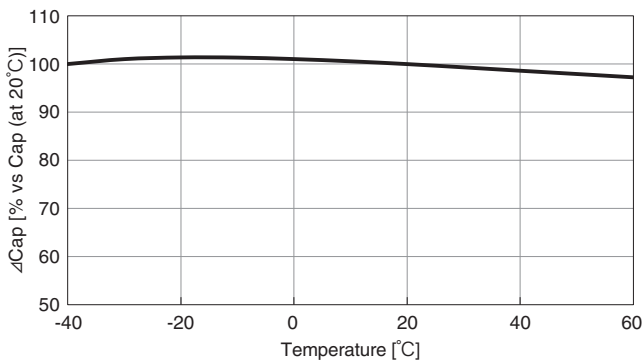
Detailed dimensions of the terminal



Plus hexagon-headed screw : M6x1.0x12

Maximum screw tightening torque : 5.5Nm

◆ Temperature Characteristics of Capacitance & DCIR



◆ 60°C Load Life Test

