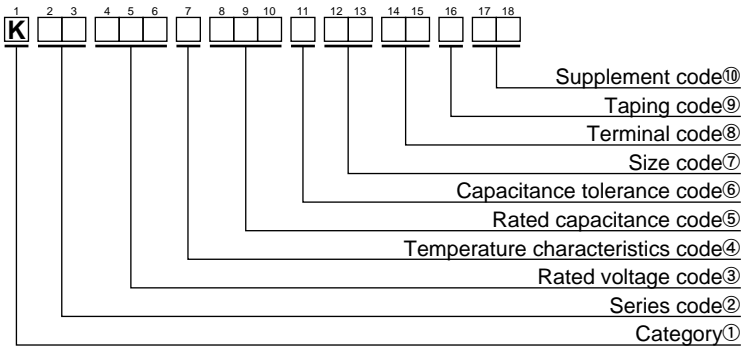


Part Numbering System

The current parts numbering system is changed to new system for global coding.
Your cooperation will be very much appreciated.

◆Multilayer Ceramic Capacitors



①Category

| Code | Details |
|------|-------------------------------|
| K | Multilayer Ceramic Capacitors |

②Series code

| Code | Series |
|------|--------|
| TS | NTS |
| TF | NTF |
| TD | NTD |
| TJ | NTJ |
| HC | THC |
| MC | TMC |
| HD | THD |
| HP | THP |
| MP | TMP |

③Rated voltage code

Significant digit (two columns) + index (one column) unit : V_{dc}

| Code | Rated voltage |
|------|--------------------|
| 160 | 16V _{dc} |
| 250 | 25V _{dc} |
| 500 | 50V _{dc} |
| 101 | 100V _{dc} |
| 201 | 200V _{dc} |
| 251 | 250V _{dc} |

④Temperature characteristics code

| Code | Temp. character | Temp. Range | ΔC/C |
|------|-----------------|--------------|------------|
| E | E | -25 to 85°C | -55 to 20% |
| B | X7R | -55 to 125°C | ±15% |

⑤Rated capacitance code

Unit of capacitance with (pF), and a sign of capacitance expresses it in 3 characters.
significant digit (two columns) + index (one column) unit : pF
(Example 1μF=1000000pF)

⑥Capacitance tolerance code

| Code | Tolerance |
|------|-------------|
| K | ±10% |
| M | ±20% |
| Z | -20 to +80% |

⑦Size code

Type : Chip

| Code | Dimensions (L×W) |
|------|------------------|
| 21 | 2.0×1.25 |
| 31 | 3.2×1.6 |
| 32 | 3.2×2.5 |
| 43 | 4.5×3.2 |
| 55 | 5.7×5.0 |
| 76 | 7.5×6.3 |

Type : Radial Lead

| Code | Dimensions (L×W) |
|------|-------------------|
| 32 | 5.0×6.5(6.0) |
| 43 | 6.5×7.0(6.5, 7.5) |
| 55 | 7.5(8.0)×9.0 |
| 76 | 10.0×11.5 |
| 80 | 13.5×15.0 |
| 90 | 22.5×20.0 |
| 99 | 28.5×20.0 |

Type : Metal Cap

| Code | Dimensions (L×W) |
|------|------------------|
| 43 | 4.8×3.5 |
| 55 | 6.0×5.0 (5.3) |
| 76 | 7.8×6.6 |

⑧Terminal code

Type : Chip

| Code | Terminal |
|------|---|
| N0 | Tin plating |
| NL | Tin plating Excellent temp. cycle Bending : 1mm |
| NH | Tin plating Excellent temp. cycle Bending : 2mm |
| R0 | Silver |
| S0* | Solder plating |

Type : Radial Lead

| Code | Terminal |
|------|-----------------------------|
| A0 | Straight Lead |
| B0 | Crimped Lead |
| C0 | Straight Lead (copper wire) |

Type : Metal Cap

| Code | Terminal | | | | |
|------|----------|----------|---------------------|---------|---------------|
| | Series | Elements | Note | Plating | RoHS |
| BF | NTJ | 2 | Size code 55 | Tin | Compliant |
| 5A | THP | 2 | Size code 43 and 55 | Silver | Compliant |
| 5B | THP | 2 | Size code 76 | Silver | Compliant |
| 5E | TMP | 2 | Spring mechanism | Silver | Compliant |
| 2A* | THP | 2 | Size code 43 and 55 | Solder | Non-compliant |
| 2B* | THP | 2 | Size code 76 | Solder | Non-compliant |
| 2E* | TMP | 2 | Spring mechanism | Solder | Non-compliant |

⑨Taping code

| Code | Taping |
|------|-----------|
| T | Taping |
| B | In pieces |

⑩Supplement code

| Code | Supplement |
|------|------------|
| 00 | Standard |

* RoHS compliant types are recommended.