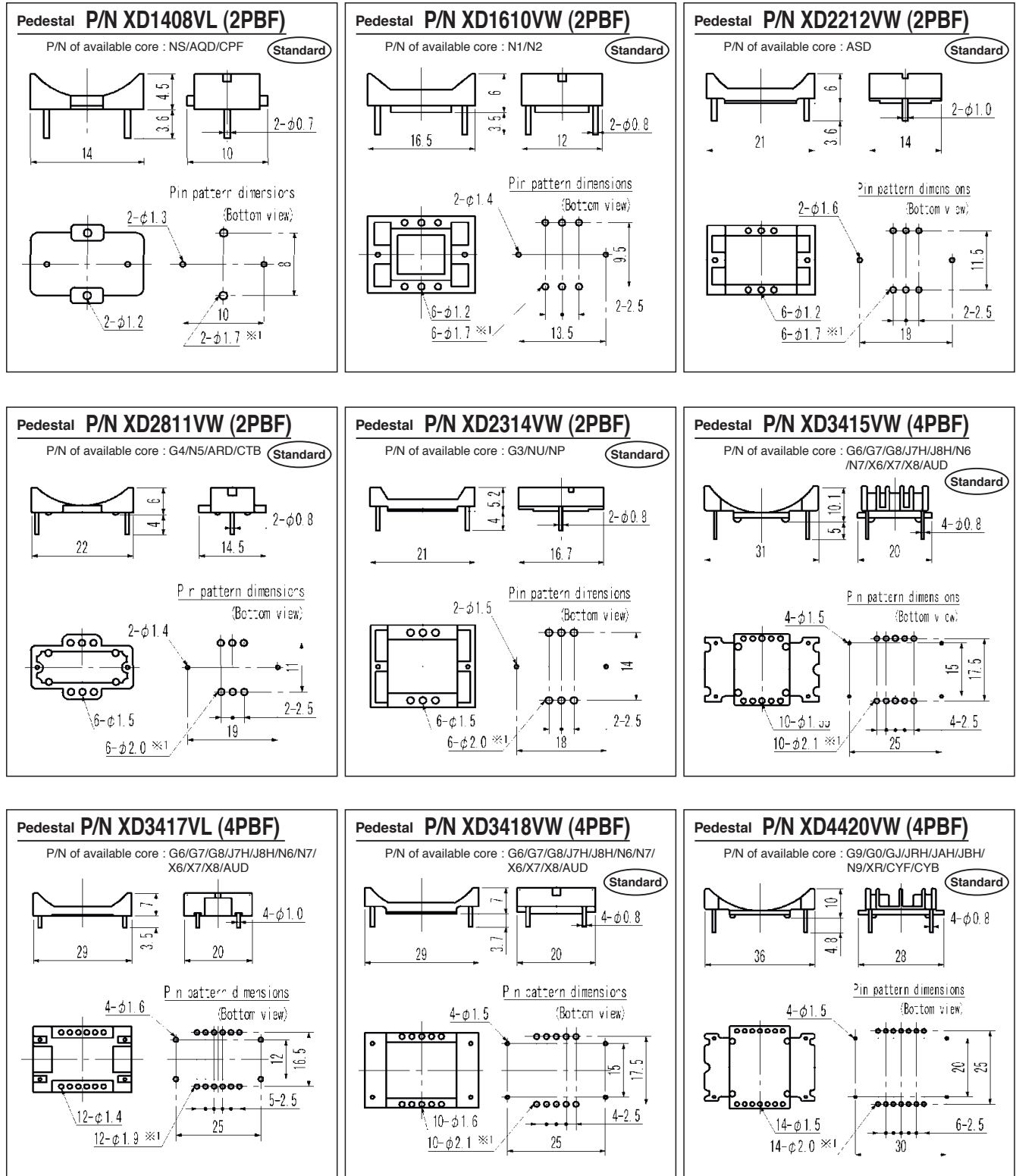


ACCESSORIES

NIPPON CHEMI-COM would like to serve the customers with smaller and higher qualified products.
Please name your best suited attaching parts in installation.

◆ Accessories used for choke coils of upright type

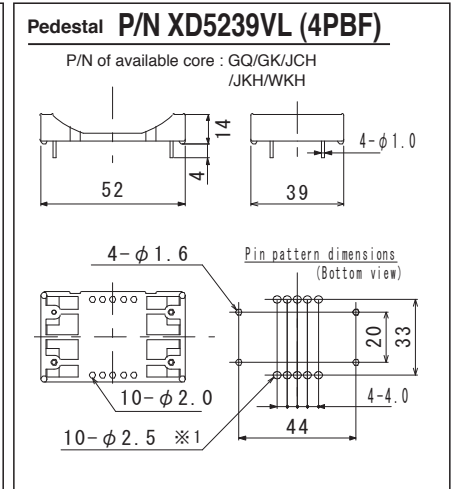
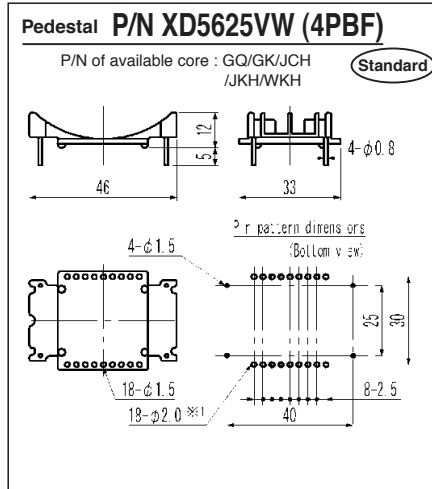
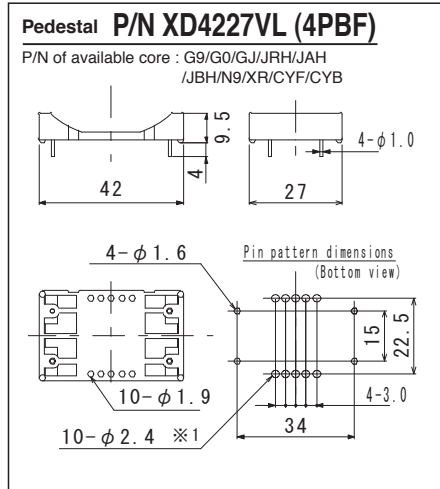
Unit : [mm]



*1 In the case of a lead wire with greatest dimensions.
*2 The Specification with auxiliary pins is marked by ().

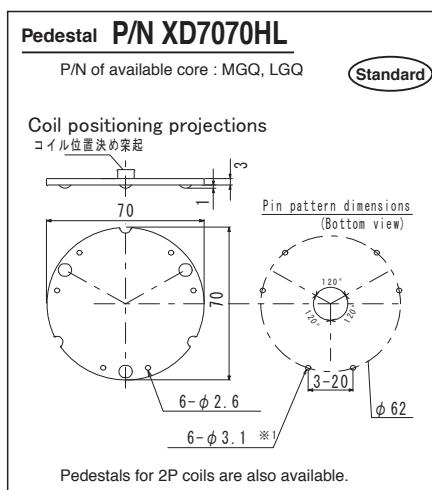
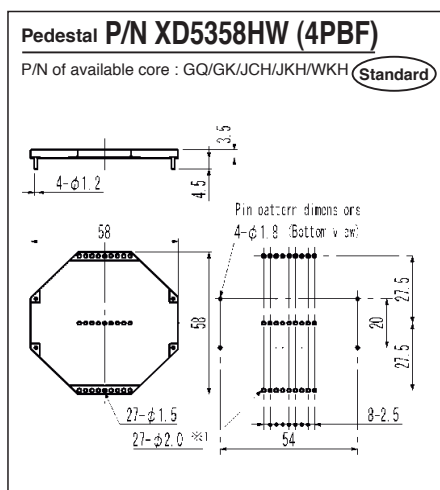
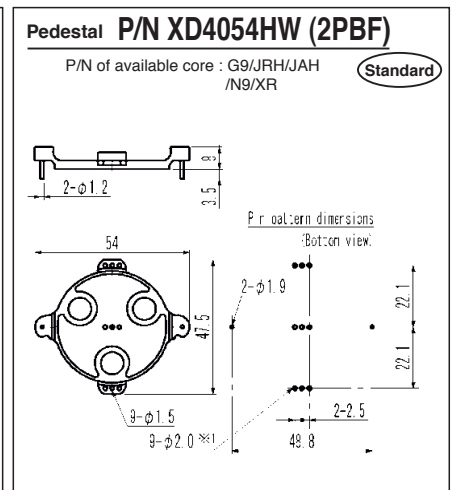
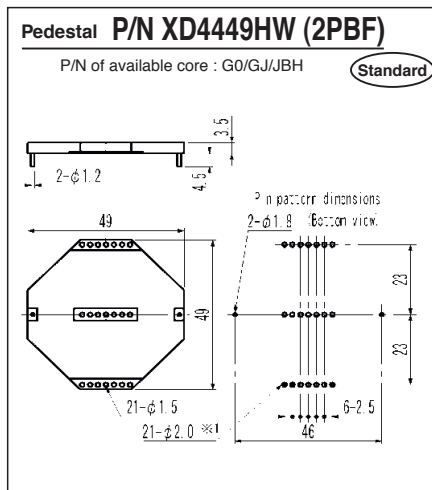
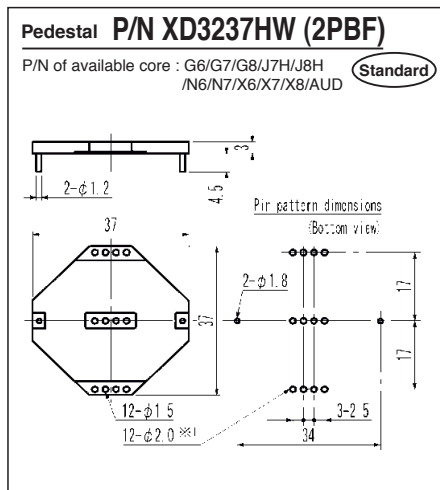
◆ Accessories used for choke coils of upright type

Unit : [mm]



◆ Accessories used for choke coils of lying type

Unit : [mm]



- The specification described in this manual is defined on the basis of the documentation, information, and data obtained when the document is written. However, the actual performance of each product may vary depending on the configuration of the circuit including the product. Therefore, confirm the performance and stability of the product in the circuit which you design.
- In general, electronic components may generate heat depending on their operating conditions. Accordingly, never use the products near some flammable substances. In addition, never use the products if any specification exceeds the rated value. This may cause human injury and/or device failure.
- Handle the coils carefully so that rear short circuits may not occur.
- The product specification may be subject to change without notice for improvement.