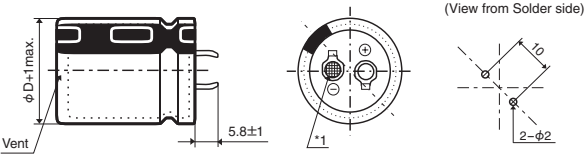
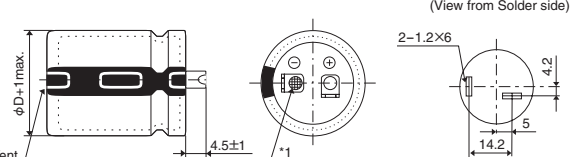
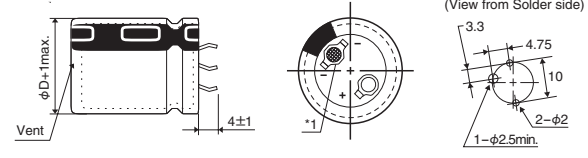
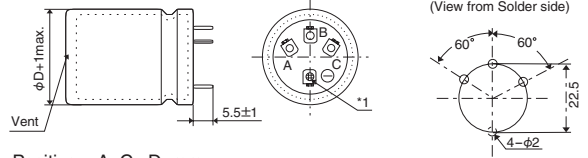
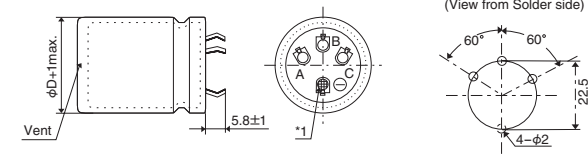
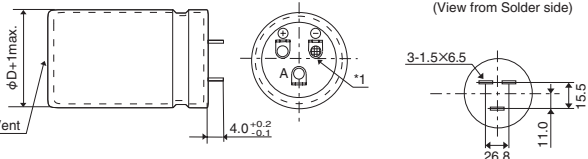
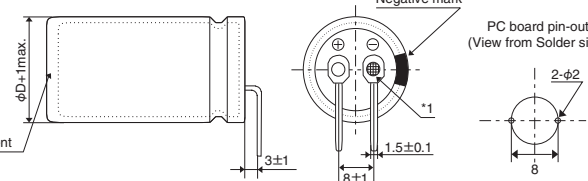


AVAILABLE TERMINALS FOR SNAP-IN AND SCREW-MOUNT TYPE

- We can make the following terminal type on custom design.
- There is a restriction for specification of product, please consult with us when the product is required.
- Please consult with us about terminal type other than those following listed.

Snap-in type

[mm]

<p>Terminal, Dummy code : VNN</p> <p>D=φ22 to φ35</p>  <p>PC board pin-out (View from Solder side)</p>	<p>Terminal, Dummy code : LIN</p> <p>D=φ30 to φ40</p>  <p>PC board pin-out (View from Solder side)</p>
<p>Terminal, Dummy code : VEN</p> <p>D=φ30, φ35</p>  <p>PC board pin-out (View from Solder side)</p>	<p>Terminal, Dummy code : VRD</p> <p>D=φ35, φ40</p>  <p>PC board pin-out (View from Solder side)</p> <p>B : Positive, A, C : Dummy</p>
<p>Terminal, Dummy code : VND</p> <p>D=φ35, φ40</p>  <p>PC board pin-out (View from Solder side)</p> <p>B : Positive, A, C : Dummy</p>	<p>Terminal, Dummy code : LIS</p> <p>D=φ50</p>  <p>PC board pin-out (View from Solder side)</p> <p>A : Dummy</p>
<p>Horizontal mounting</p> <p>D=φ20×30 to 50L, φ22×30 to 50L</p> <p>Terminal, Dummy code : LCN</p>  <p>PC board pin-out (View from Solder side)</p>	

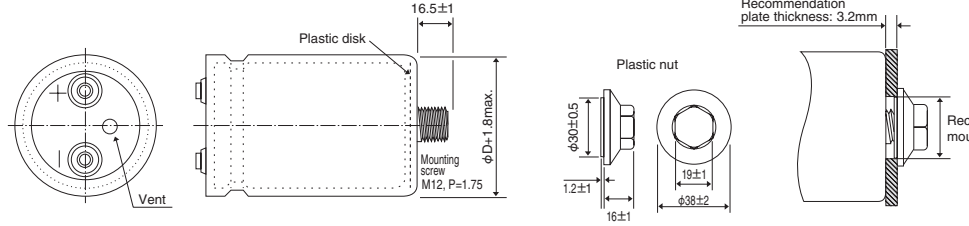
*1 Negative terminal : Mesh marking

*2 Use the dummy terminals for mechanical support only.

The dummy terminals must not be connected to any circuit trace on PC board, be sure to electrically isolate from the negative and the positive terminals.

Screw-mount type

[mm]

<p>Stud mounting type</p> <p>D=φ63.5 to φ89</p>  <p>Plastic disk</p> <p>Mounting screw M12, P=1.75</p> <p>Plastic nut</p> <p>Installation Recommendation plate thickness: 3.2mm</p> <p>Recommendation mounting hole: φ31±0.5</p> <p>Mounting screw and case are same potential as the cathode terminal. Please careful of isolation between chassis.</p>

Please consult with us about other size.