

☆: Recommendation products
 [AEC-Q200] : AEC-Q200 compliant. Please contact your local Chemi-Con office for more details, test data, information and also non indicated products.

CONDUCTIVE POLYMER ALUMINUM SOLID CAPACITORS

RESIN-MOLDED SURFACE MOUNT TYPE

3D Click here!




Resin-Molded Type Digitalization Super Low ESR

PMA
105°C 5,000H

SURFACE MOUNT TYPE

3D Click here!




Surface Mount Type Digitalization Super Low ESR

125°C High Temperature

- PXA** 105°C 3,000/15,000H
- *PXF** Low ESR
- PXS** Long Life
- *PXN** High moisture resistance
- PXE** 105°C 15,000H
- *PXK** Downsizing
- PXT** High moisture resistance
- *PXG** 105°C 16 to 25V
- PXJ** Downsizing
- PXH** 125°C 1,000H
- PXD** 125°C 2,000H

RADIAL LEAD TYPE

3D Click here!




Radial Lead Type Digitalization Super Low ESR

- *PSF** Low ESR, Long Life
- PSJ** Low ESR
- PSC** 105°C 15,000H
- PSE** Long Life
- *PSG** 105°C 16 to 35V
- *PSK** Downsizing, Long Life

CONDUCTIVE POLYMER HYBRID ALUMINUM ELECTROLYTIC CAPACITORS

SURFACE MOUNT TYPE

3D Click here!




Surface Mount Type Digitalization Super Low ESR Automotive Application

125°C/135°C High Temperature

- HXB** 105°C 5,000H
- HXD** 105°C 5,000H
- HXA** 125°C 4,000H
- HXC** 125°C 4,000H
- HXE** 135°C 2,000/4,000H

RADIAL LEAD TYPE

3D Click here!



Radial Lead Type Digitalization Super Low ESR Automotive Application


125°C/135°C High Temperature

- HSD** 105°C 5,000H
- HSC** 125°C 4,000H
- HSE** 135°C 4,000H

ALUMINUM ELECTROLYTIC CAPACITORS

SURFACE MOUNT TYPE (CE32)

3D Click here!



Surface Mount Type (CE32) Digitalization

105°C High Voltage

- MKB** 400V

105°C Low Impedance

- MVY** 105°C 1,000 to 5,000H
- *MZA** 105°C 2,000/5,000H
- MZJ** 105°C 2,000H
- *MZR** 105°C 2,000H
- MZS** 105°C 2,000H

105°C Low Impedance / Long Life

- MLA** 105°C 3,000H
- MZE** 105°C 7,000/8,000H
- MZF** 105°C 10,000H
- MZK** 105°C 5,000H Low Profile

125°C/150°C High Temperature

- MVH** 125°C
- MHL** 125°C 2,000/4,000H
- MHS** 125°C 5,000H
- MXB** 150°C 1,000H
- *MHB** 125°C Low ESR
- MHJ** 125°C Low ESR
- MHK** 125°C Low ESR

105°C Long Life

- MVL** 105°C 3,000/5,000H
- MLE** 105°C 7,000/8,000H
- MLF** 105°C 10,000H
- MVJ** 105°C 2,000H
- MLK** 105°C 5,000H Low Profile

Automotive Application

☆: Recommendation products

AEC-Q200 : AEC-Q200 compliant. Please contact your local Chemi-Con office for more details, test data, information and also non indicated products.

ALUMINUM ELECTROLYTIC CAPACITORS

RADIAL LEAD TYPE



Low Profile
Power Supply
Output Filter

Low Profile (5 to 25mm height)

SRM 85°C 5mmL	KRE 105°C 5mmL
↑ Low Profile	↑ Low Profile
SRG 85°C 7 to 25mmL	KRG/KMA 105°C 7 to 25mmL

105°C Low Impedance / High Ripple (6.3 to 100V)

KZE Low Z	→	KZH Low Z	→	KZM Long Life, Low Z	→	*KZN Long Life, Low Z
KY Long Life, Low Z	→	KYA Long Life, Low Z	→	*KYB Long Life, Low Z	→	KYC Long Life, Low ESR
LXV Low Z	→	LXY Long Life, Low Z	→	LXZ Long Life, Low Z	→	*LZA Long Life, Low Z

Radial Lead Standard

*SMQ 85°C	*KMQ 105°C
↑ Downsizing	↑ Downsizing
SMG 85°C	KMG 105°C

105°C High Ripple / Long Life (160V and more)

PAG 105°C 2,000H	→	*KHE 105°C 2,000H		
*KWA 105°C 5,000H				
KXG 105°C 8,000/10,000H	→	*KXJ 105°C 8,000 to 12,000H	→	KXL 105°C 10,000/12,000H

Power Supply
Input Filter

125°C/135°C/150°C High Temperature

*GXF 125°C High Ripple	→	*GPA 125°C High Ripple	→	*GPD 135°C High Ripple
GXE 125°C	→	GXL 125°C Long Life		
GVD 135°C 2,000 to 3,000H		GQB 150°C 1,000H		
GVA 125°C 5,000H				

For Airbag

LBV 105°C 5,000H
↑ Downsizing
LBG 105°C 5,000H

Automotive
Application

For Photo Flash

PH

Downsizing (160V and more)

KXE 105°C 10,000/12,000H	→	KXF 105°C 15,000/20,000H
------------------------------------	---	------------------------------------

Long Life

FL 105°C 3,000H	→	LE 105°C 10,000H
---------------------------	---	----------------------------

No Sparks against Over-Voltage

KLJ 105°C 2,000H

For Audio

Surface Mount Type

MAK 105°C 1,000H
MAR 85°C 2,000H

Radial Lead Type

AWJ 85°C High grade
ARI 85°C 5/7mmL
AVH 85°C 1,000H
ASG 85°C Downsizing

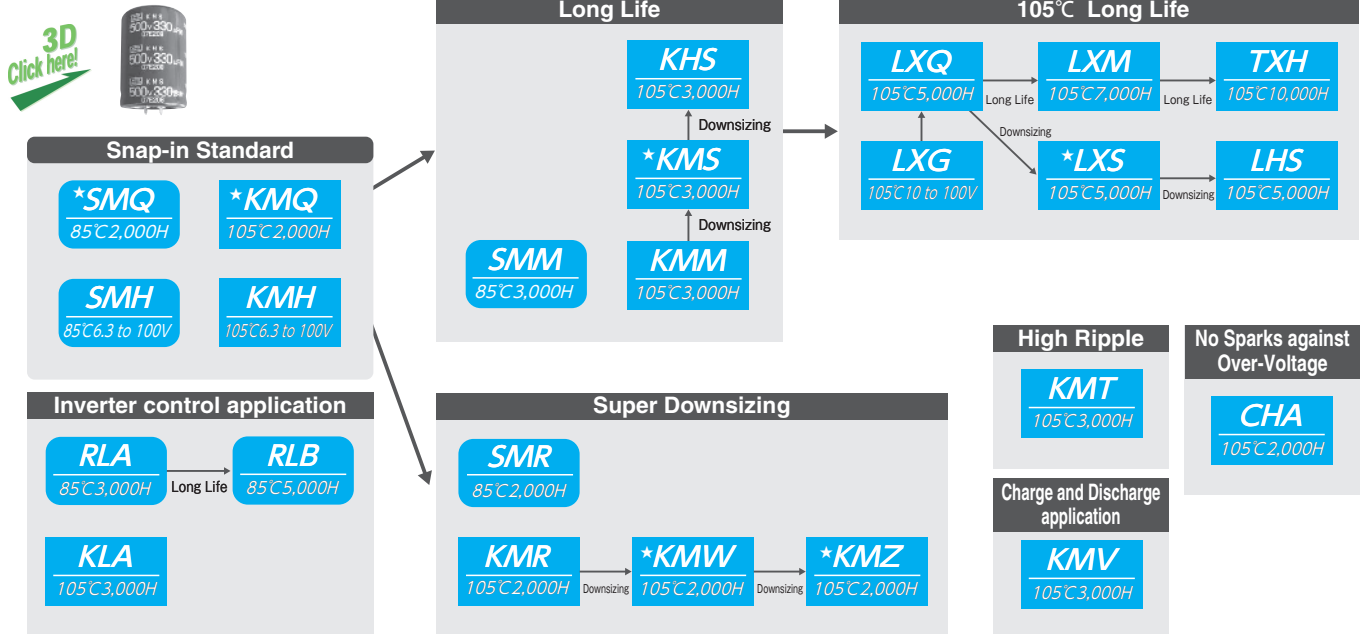
Snap-in Type

AJ 85°C 1,000H

Product specifications in this catalog are subject to change without notice. Request our product specifications before purchase and/or use. Please use our products based on the information contained in this catalog and product specifications.

ALUMINUM ELECTROLYTIC CAPACITORS

■ SNAP-IN TYPE



Please contact us for AEC-Q200 compliant of Snap-in type.

■ SCREW-MOUNT TYPE

