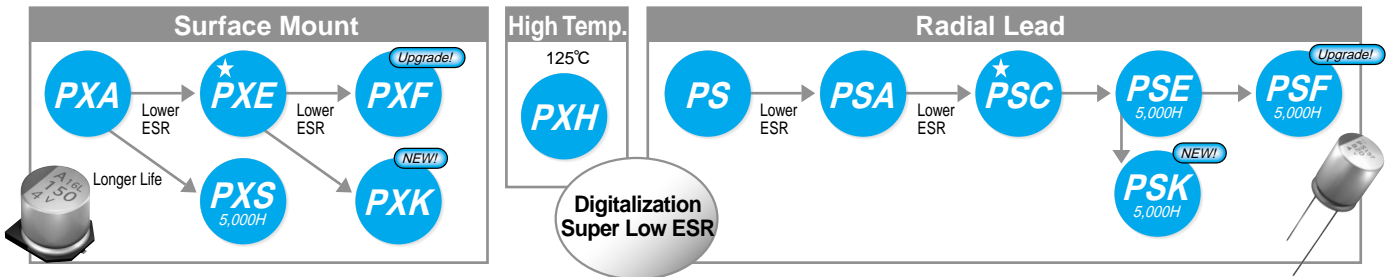


CONDUCTIVE POLYMER ALUMINUM SOLID CAPACITORS

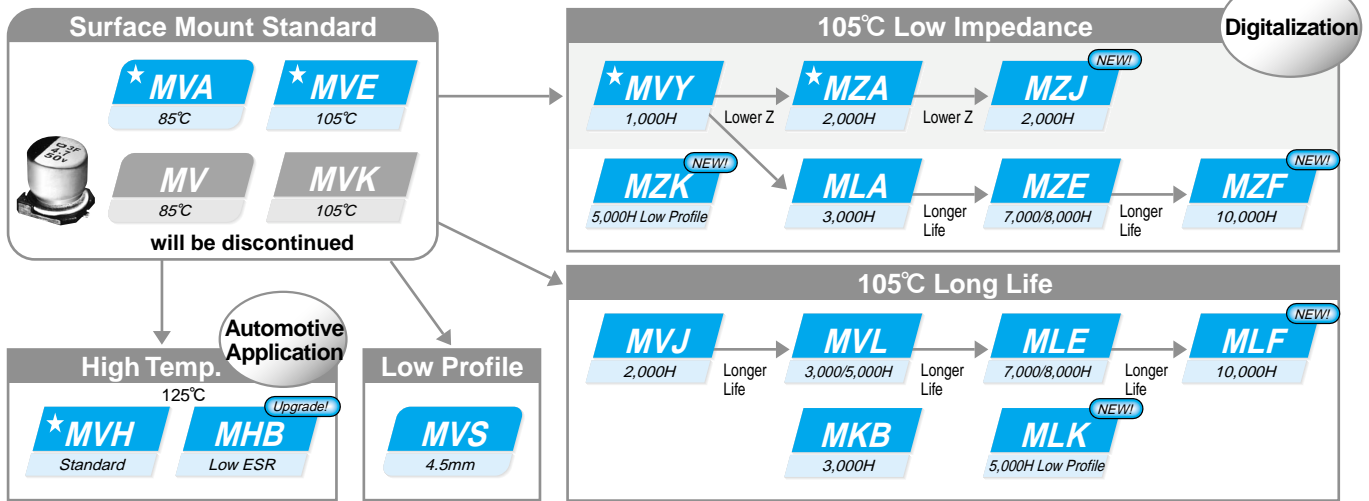
◆SURFACE MOUNT

◆RADIAL LEAD

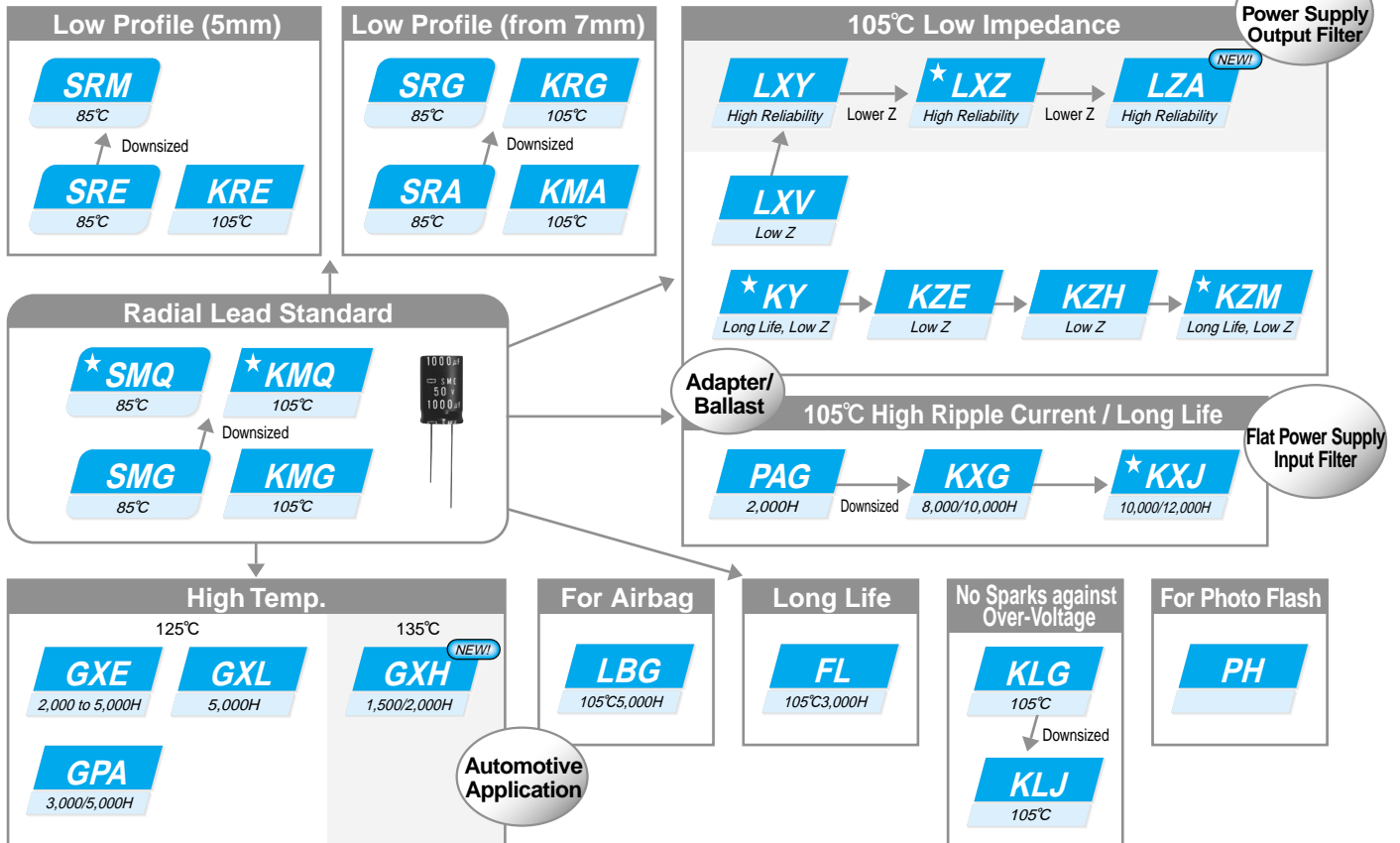


ALUMINUM ELECTROLYTIC CAPACITORS

◆SURFACE MOUNT



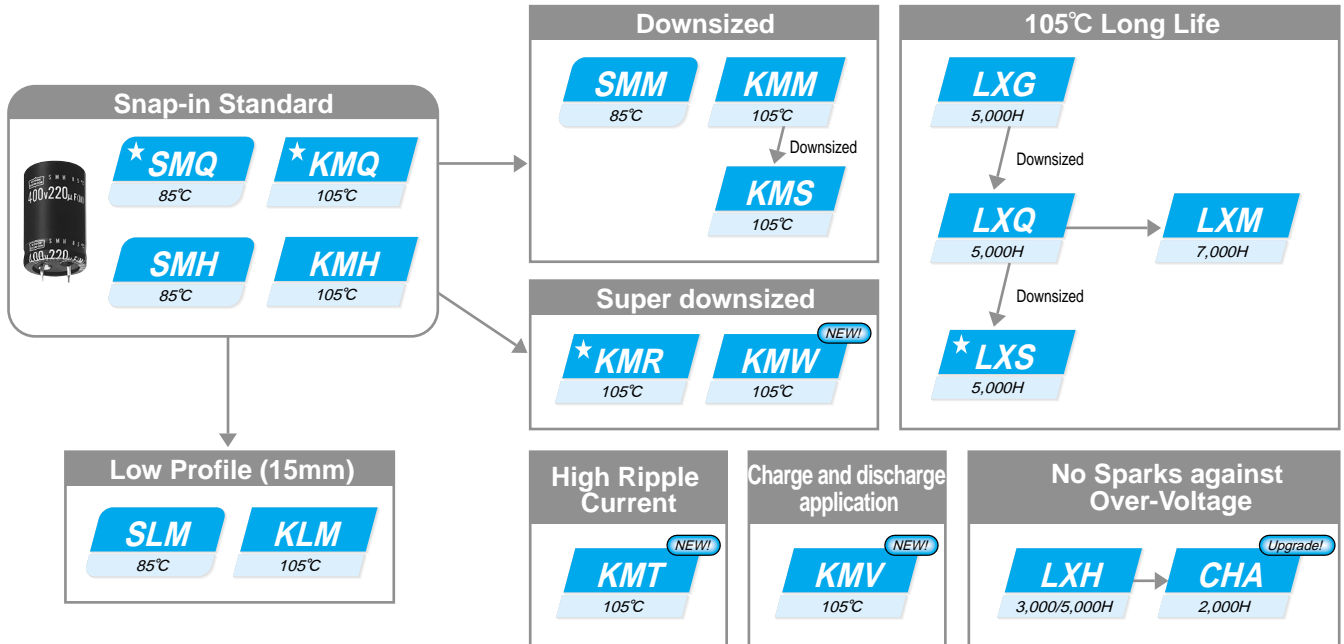
◆RADIAL LEAD



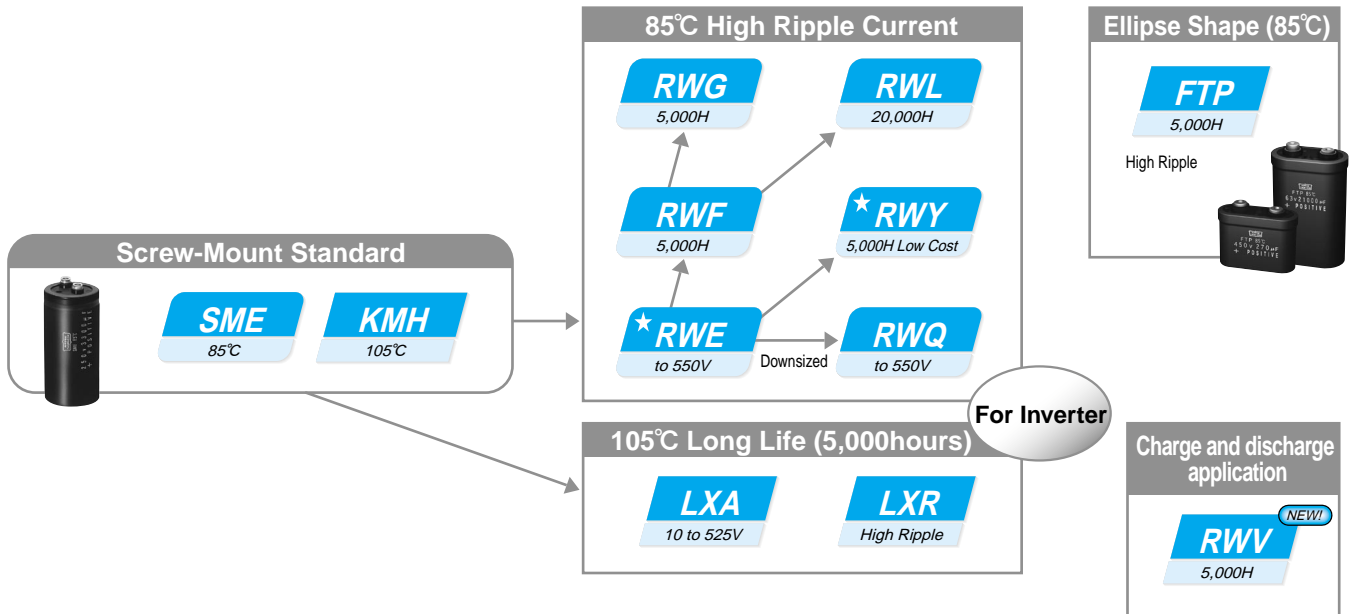
☆: Recommendation products

ALUMINUM ELECTROLYTIC CAPACITORS

◆SNAP-IN



◆SCREW-MOUNT TERMINAL



☆ : Recommendation products