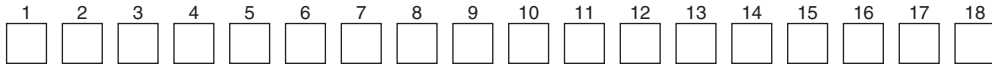


Part numbering system

Our part numbering system is common to all of Nippon Chemi-Con's subsidiaries worldwide, and has been switching the conventional part numbering system. The part number uses 18-digit codes to express information of principal product specifications such as product category, series name, rated voltage, capacitance, case size and RoHS compliance.

●Categories



Code	Details
A	Conductive Polymer Aluminum Solid Capacitors (Polar)
H	Conductive Polymer Hybrid Aluminum Electrolytic Capacitors (Polar)
E	Aluminum Electrolytic Capacitors (Polar)
B	Aluminum Electrolytic Capacitors (Bi-polar)
K	Multilayer Ceramic Capacitors
F	Film Capacitors
D	Electric Double Layer Capacitors
T	Metal Oxide Varistors
L	Amorphous Choke Coils

●Example

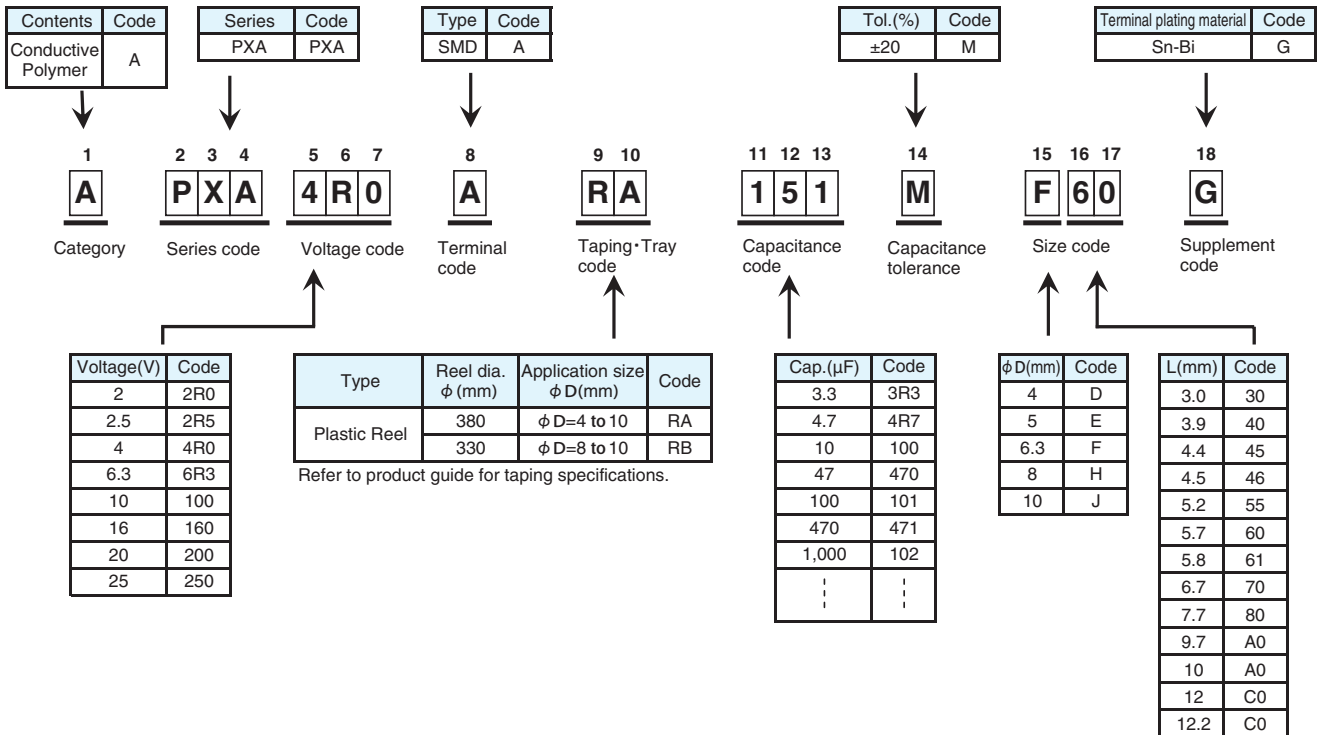
Product type	Part number (Example)	Conventional part number (Ref.)
Surface mount type	EMVE160ADA100MD55G	MVE16VC10MD55E0
Radial lead type	EKMQ6R3ETC102MHB5D	TC04RKMQ6.3VB1000MF50E0
Snap-in type	EKMQ201VSN471MP30S	KMQ200VSSN470M22BE0
Screw mount terminal type	ERWE551LGC821MCD0M	RWE550LGSN820MCC13EA

Product code guide (Conductive polymer Surface mount type)

(Example : PXA series, 4V-150 μ F, ϕ 6.3 \times 5.7L)



Please refer to the following table

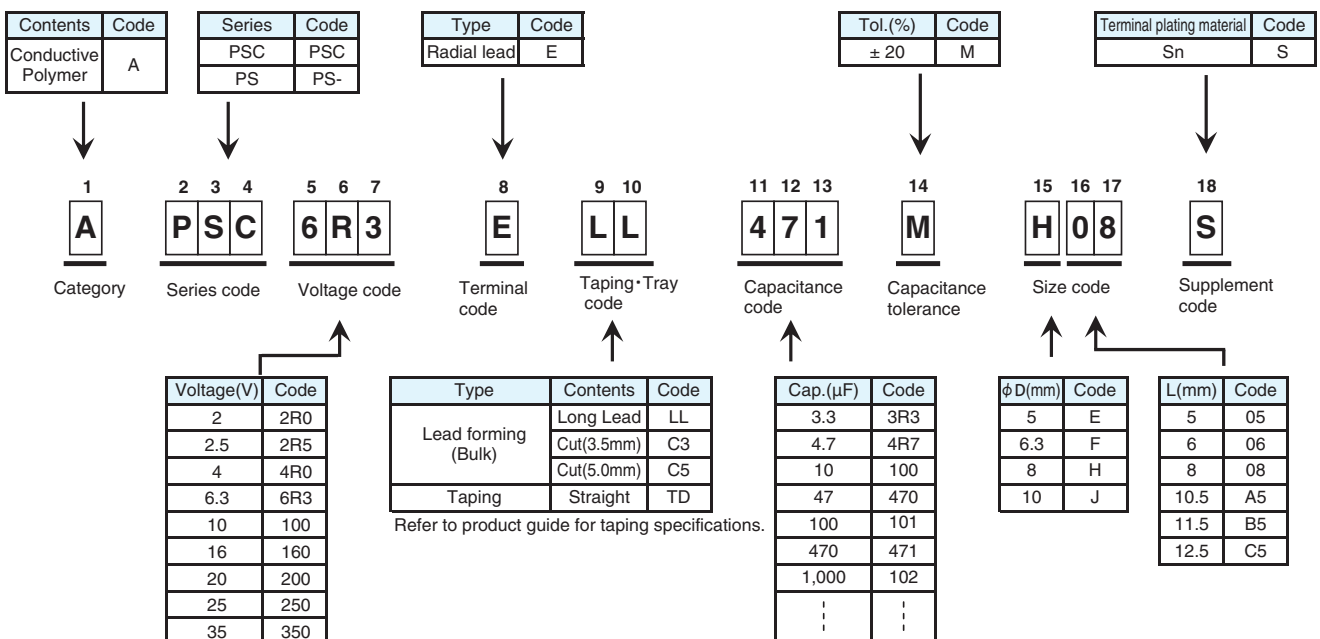


*Refer to the appendix (Part number) for codes not listed here.

Product code guide (Conductive polymer Radial lead type)

(Example : PSC series, 6.3V-470 μ F, ϕ 8 \times 8L, Long Lead with bulk)

Please refer to the following table



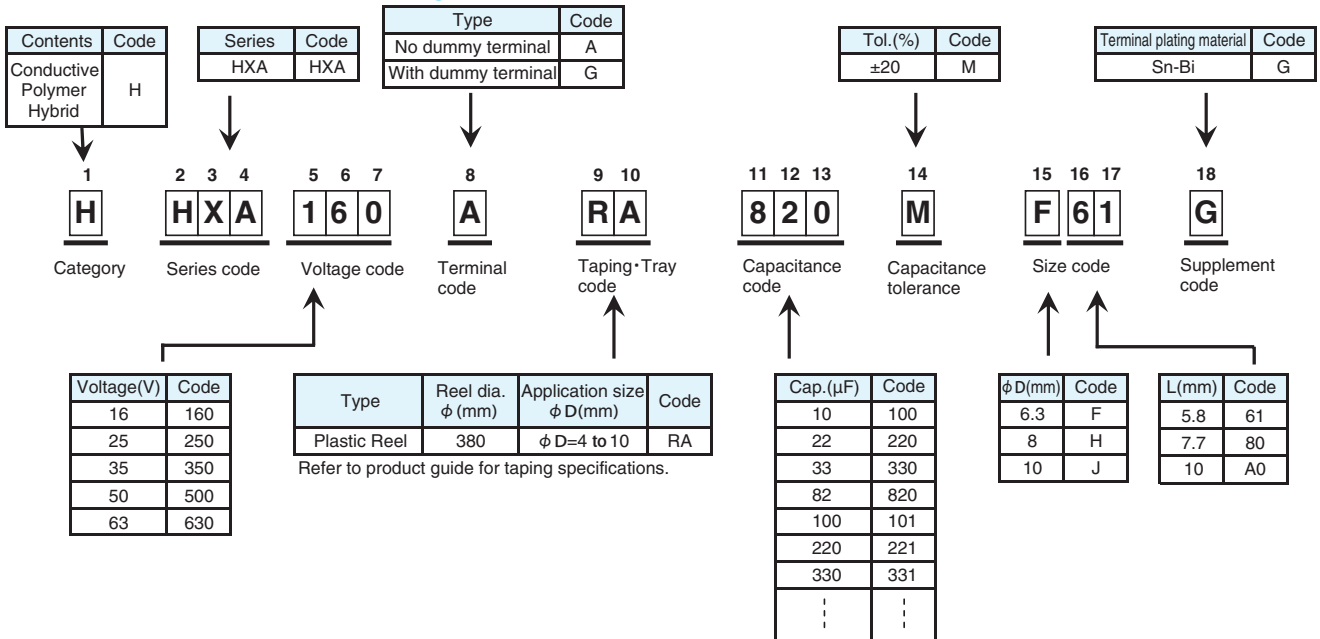
*Refer to the appendix (Part number) for codes not listed here.

Product code guide (Conductive polymer hybrid Surface mount type)

(Example : HXA series, 16V-82μF, φ6.3×5.8L)



Please refer to the following table



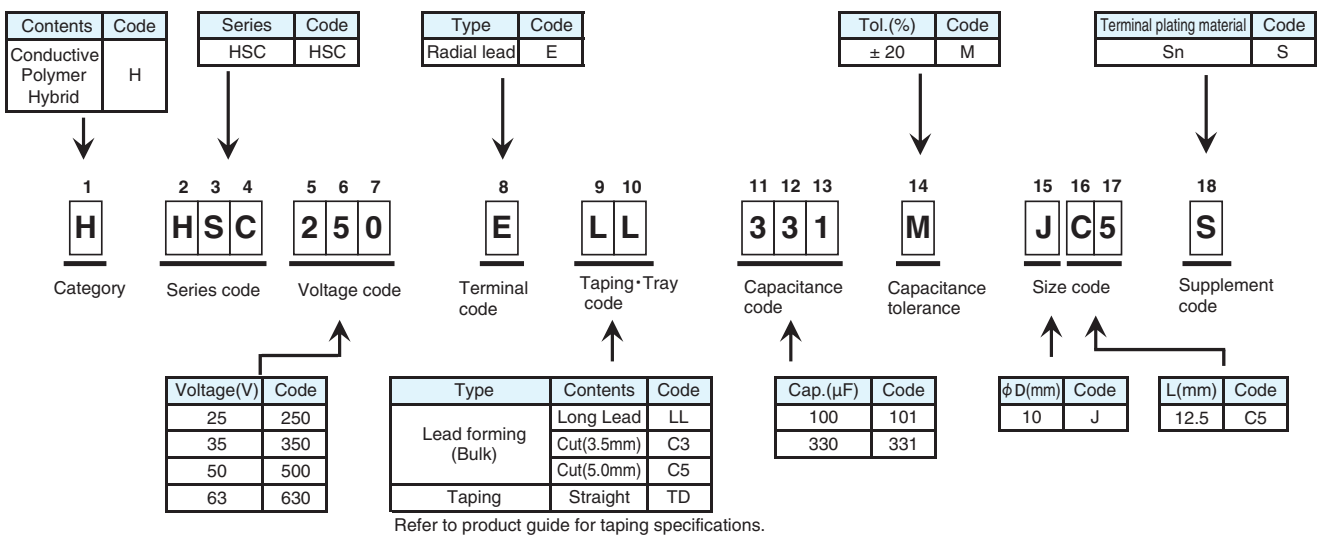
*Refer to the appendix (Part number) for codes not listed here.

Product code guide (Conductive polymer hybrid Radial lead type)

(Example : HSC series, 25V-330μF, φ10×12.5L, Long Lead with bulk)



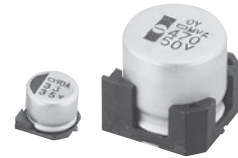
Please refer to the following table



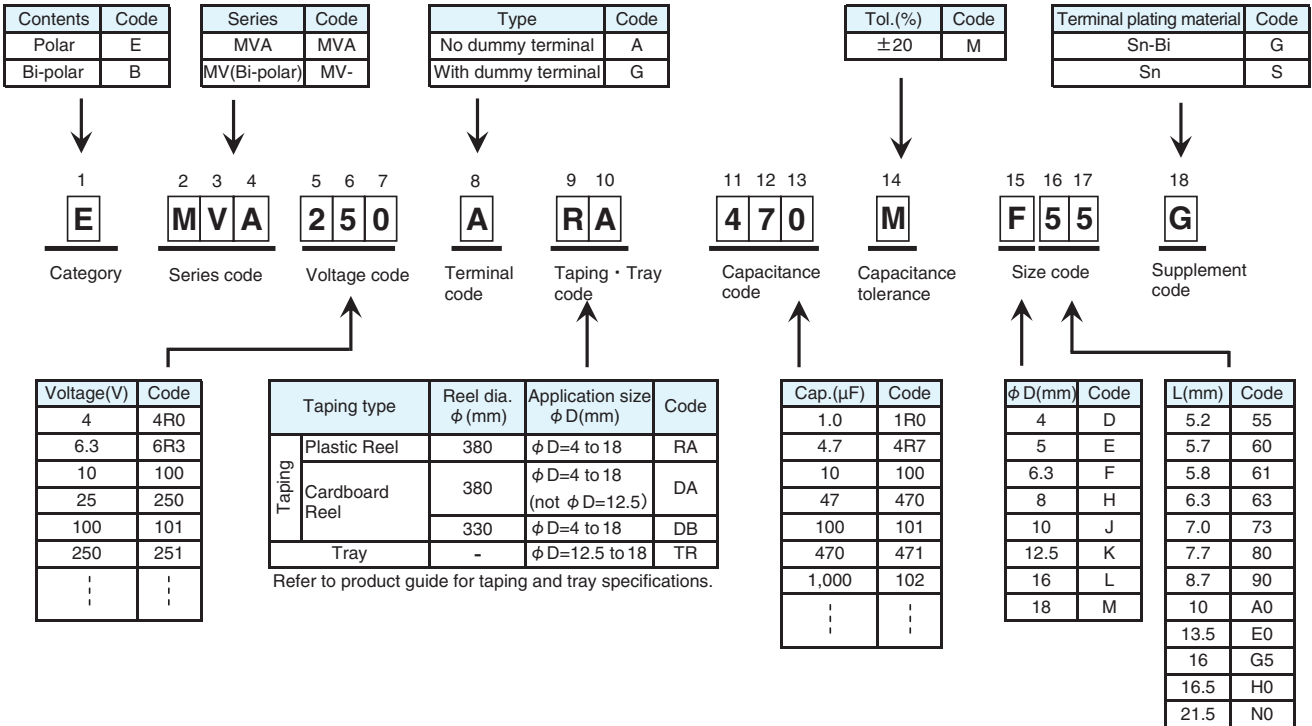
*Refer to the appendix (Part number) for codes not listed here.

Product code guide (Surface mount type)

(Example : MVA series, 25V-47 μ F, ϕ 6.3 \times 5.2L)



Please refer to the following table



*Refer to the appendix (Part number) for codes not listed here.

Product code guide (Radial lead type)

(Example : KMQ series, 450V-100 μ F, ϕ 18 \times 40L, Long lead with bulk)

Please refer to the following table



Contents	Code	Series	Code	Type	Code	Tol.(%)	Code	Sleeve materia	Terminal plating material	Code
Polar	E	KMQ	KMQ	Radial lead	E	± 20	M	PET	Sn-Bi	D
Bi-polar	B	FL	FL-			-10 to +20	V		Sn	S
								Sleeveless (Coating case)	Sn-Bi	G
									Sn	H

1	2	3	4	5	6	7	8	9	10	11	12	13	14	15	16	17	18
E	K	M	Q	4	5	1	E	L	L	1	0	1	M	M	4	0	S
Category	Series code			Voltage code			Terminal code	Lead forming/ Taping code		Capacitance code			Capacitance tolerance	Size code		Supplement code	

Voltage(V)	Code
4	4R0
6.3	6R3
10	100
25	250
100	101
250	251
⋮	⋮

Type	Contents	Code
Lead forming (Bulk)	Long Lead	LL
	Cut(3.5mm)	C3
	Cut(5.0mm)	C5
	Forming Cut	FC
	Snap-in ϕ D=5 to 8	FM
	Snap-in ϕ D=10 to 18	MC
Taping	Horizontal	BC
		BD
	Straight	TD
	Gradual forming	
	Straight(Skip a hole)	TE
	Forming(F=2.5mm)	TA
Forming(F=5.0mm)	TC	

Cap.(μ F)	Code
1.0	1R0
4.7	4R7
10	100
47	470
100	101
470	471
1,000	102
⋮	⋮

ϕ D(mm)	Code
4	D
5	E
6.3	F
8	H
10	J
12.5	K
14.5	U
16	L
18	M
20	N
22	P

L(mm)	Code
5	05
7	07
9	09
11	11
11.5	B5
12.5	C5
13	13
15	15
16	16
20	20
25	25
30	30
31.5	N3
35	35
35.5	P1
40	40
45	45
50	50
55	55
60	60

Refer to product guide(P13,14) for lead forming and taping specifications.

*Refer to the appendix (Part number) for codes not listed here.

CUT/FORMED LEAD

<p>Terminal type</p> <p>●Lead code : FC (Forming Cut type) Size : ϕD=4 to 8</p>	<p>Terminal type</p> <p>●Lead code : C3 (Cutting type) Size : ϕD=4 to 18</p> <p>Dimension (C)</p> <ul style="list-style-type: none"> ϕD= 4 to 8: C3: 3.5 ± 0.5(Second standard C5: 5.0 ± 0.5) ϕD=10 to 18: C3: 3.5 ± 0.5(Second standard C5: 5.0 ± 0.0) 	<p>Terminal type</p> <p>●Lead code : LJ (Forming Cut type) Size : ϕD=10 to 18</p> <p>Dimension</p> <table border="1"> <tr> <th>ϕD</th> <th>A-B</th> <th>ϕd</th> <th>P</th> </tr> <tr> <td>10 to 12.5</td> <td>3.2 ± 0.5</td> <td>0.6</td> <td>5.0 ± 0.5</td> </tr> <tr> <td>14.5 to 18</td> <td>3.2 ± 0.5</td> <td>0.8</td> <td>7.5 ± 0.5</td> </tr> </table>	ϕ D	A-B	ϕ d	P	10 to 12.5	3.2 ± 0.5	0.6	5.0 ± 0.5	14.5 to 18	3.2 ± 0.5	0.8	7.5 ± 0.5
ϕ D	A-B	ϕ d	P											
10 to 12.5	3.2 ± 0.5	0.6	5.0 ± 0.5											
14.5 to 18	3.2 ± 0.5	0.8	7.5 ± 0.5											
<p>●Lead code : FM (Snap-in type) Size : ϕD=5 to 8</p>	<p>●Lead code : MC (Snap-in type) Size : ϕD=10 to 18</p>	<p>*1 Please consult with us about other terminal forming. *2 Please refer to dimensions of each series for gas escape end seal. *3 Conventionally, lead forming code is used in common by (BC) for two type of the lead bent directions. We added lead forming code (BD) newly and clarified the lead bent directions. Please place an order after the choice for an appropriate lead forming code depending on condition of use.</p>												
<p>●Lead code : BC (Horizontal type)*3 Size : ϕD=10 to 18</p> <p>Dimension (P)</p> <ul style="list-style-type: none"> ϕ10, ϕ12.5 : P=5.0 ± 0.5 ϕ14.5, ϕ16, ϕ18 : P=7.5 ± 0.5 	<p>●Lead code : BD (Horizontal type)*3 Size : ϕD=10 to 18</p> <p>Dimension (P)</p> <ul style="list-style-type: none"> ϕ10, ϕ12.5 : P=5.0 ± 0.5 ϕ14.5, ϕ16, ϕ18 : P=7.5 ± 0.5 													

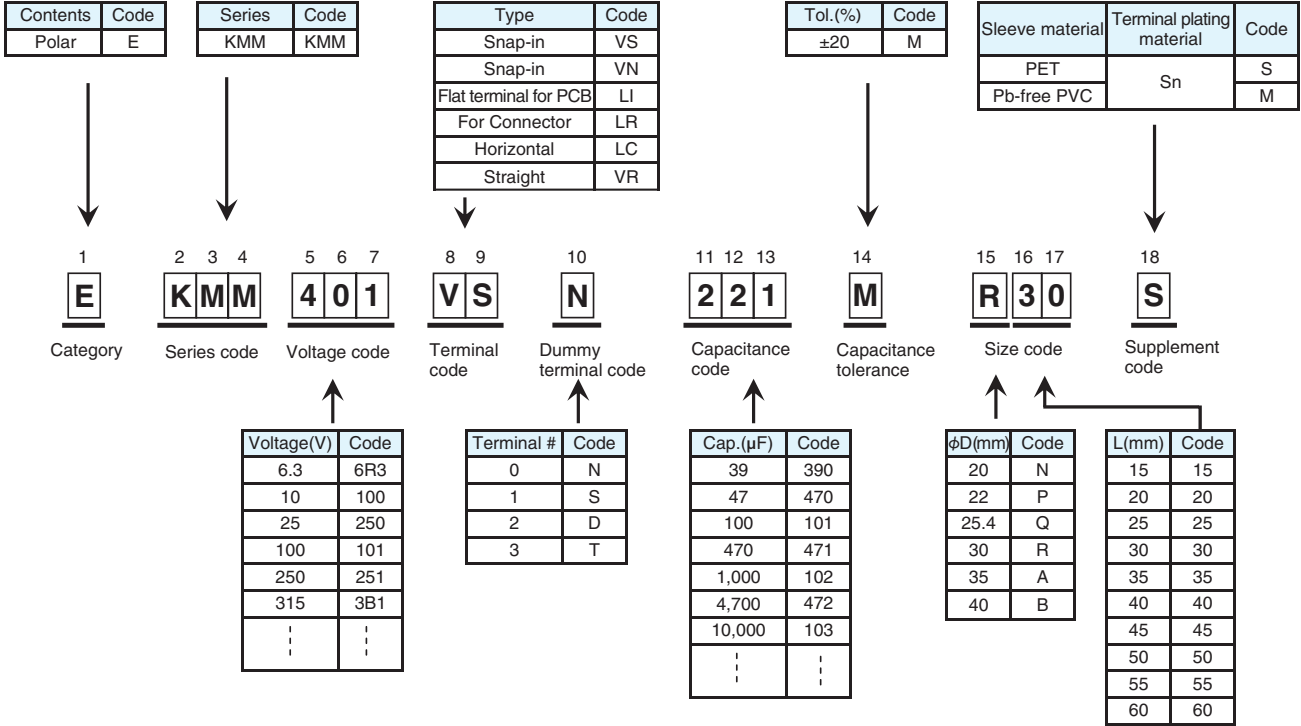
Product code guide (Snap-in type)

(Example : KMM series, 400V-220 μ F, ϕ 30 \times 30L)

Please refer to the following table



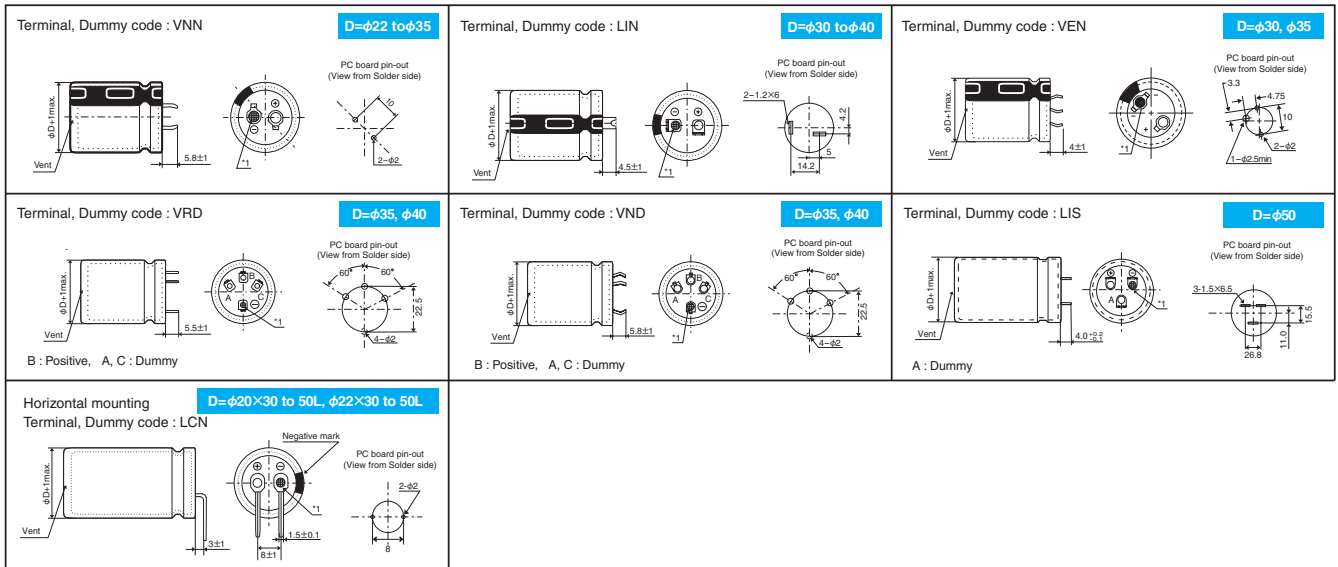
For more details, refer to Product Guide (P16).



*Refer to the appendix (Part number) for codes not listed here.

Available terminals

[mm]



*1 Negative terminal : Mesh marking

*2 Use the dummy terminals for mechanical support only.

The dummy terminals must not be connected to any circuit trace on PC board, be sure to electrically isolate from the negative and the positive terminals.

Product code guide (Screw mount terminal type)

(Example : KMH series, 400V-3,300 μ F, ϕ 63.5 \times 120L, Without mounting clamp)



Please refer to the following table

Contents	Code	Series	Code	Type	Code	Tol.(%)	Code	Sleeve Material	Code
Polar	E	KMH	KMH	Screw terminal	LG	± 20	M	Pb-free PVC	M

1	2	3	4	5	6	7	8	9	10	11	12	13	14	15	16	17	18
E	K	M	H	4	0	1	L	G	N	3	3	2	M	D	C	0	M
Category	Series code			Voltage code			Terminal code	Mounting clamp code	Capacitance code			Capacitance tolerance	Size code		Supplement code		

Voltage(V)	Code
10	100
25	250
100	101
250	251
315	3B1
525	5C1
⋮	⋮

Type	Code
	B
	C
Without clamp	N

Cap.(μ F)	Code
100	101
470	471
1,000	102
4,700	472
10,000	103
47,000	473
100,000	104
⋮	⋮

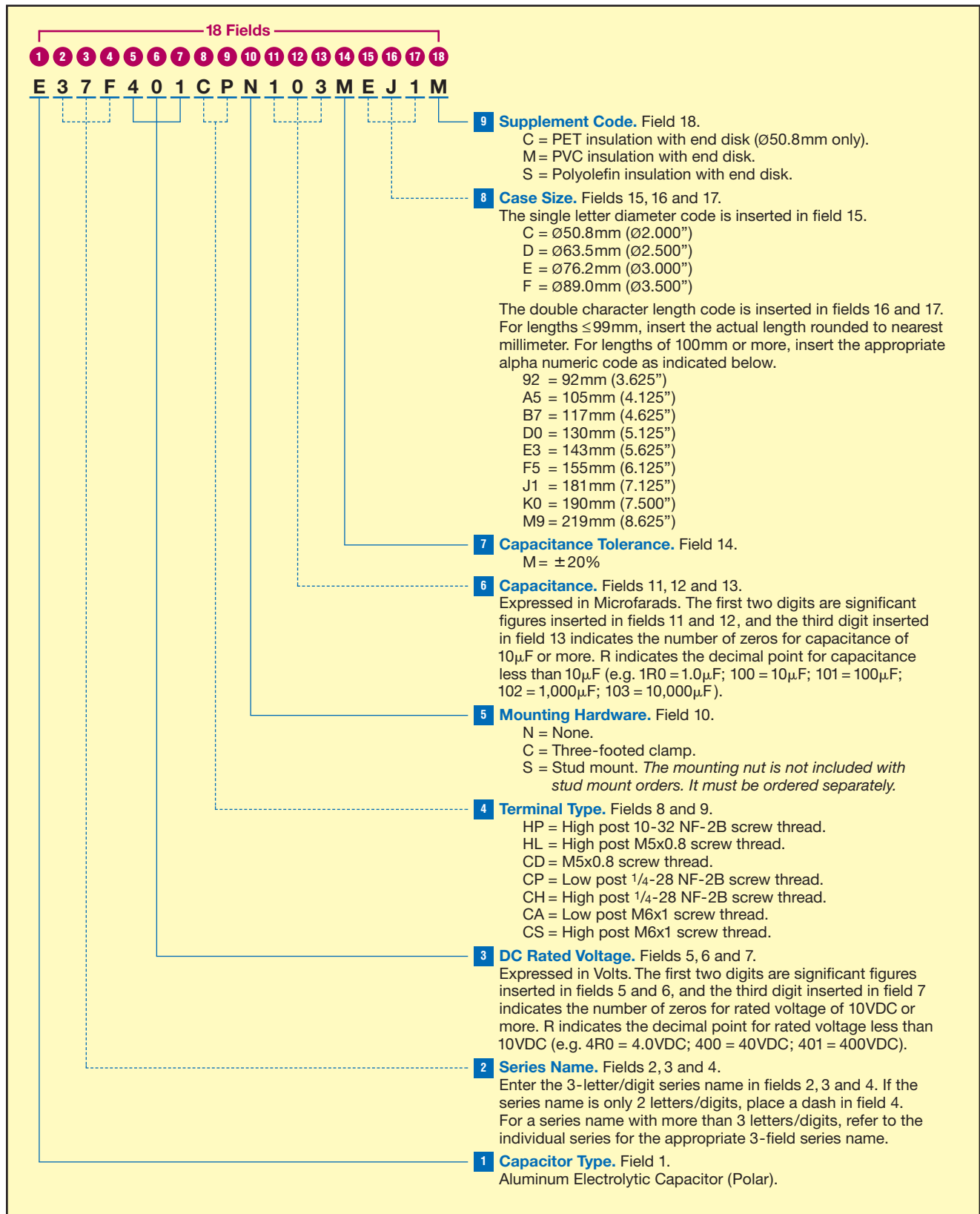
ϕ D(mm)	Code
35	A
50	C
63.5	D
76.2	E
89	F
100	G

L(mm)	Code
50	50
55	55
60	60
65	65
75	75
80	80
85	85
90	90
95	95
96	96
100	A0
105	A5
110	B0
115	B5
120	C0
125	C5
130	D0
140	E0
145	E5
155	F5
170	H0
190	K0
210	M0
220	N0
250	R0
270	T0

*Refer to the appendix (Part number) for codes not listed here.

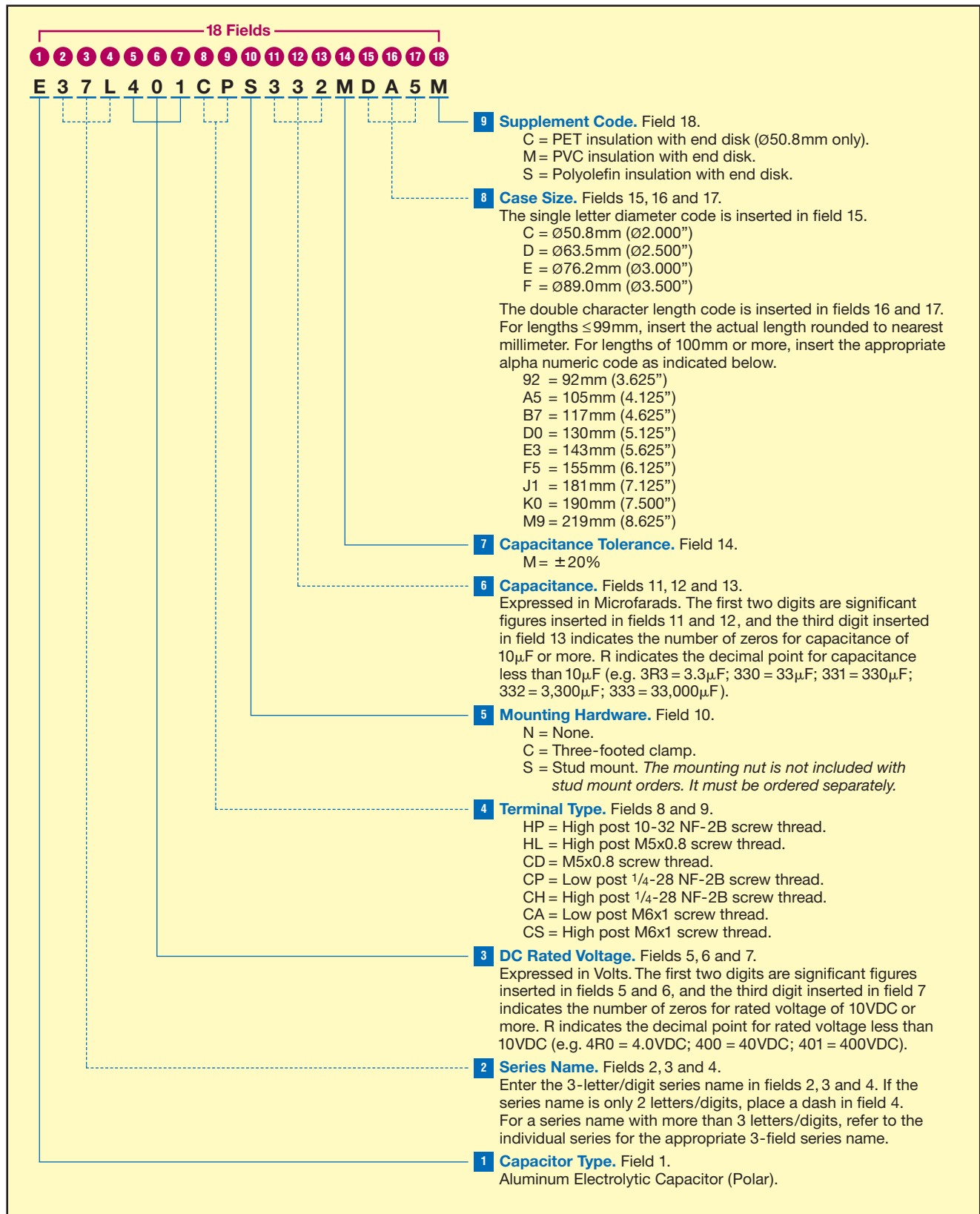
U37F Series

Part Numbering System for U37F Series When ordering, always specify complete 18-field global part number.



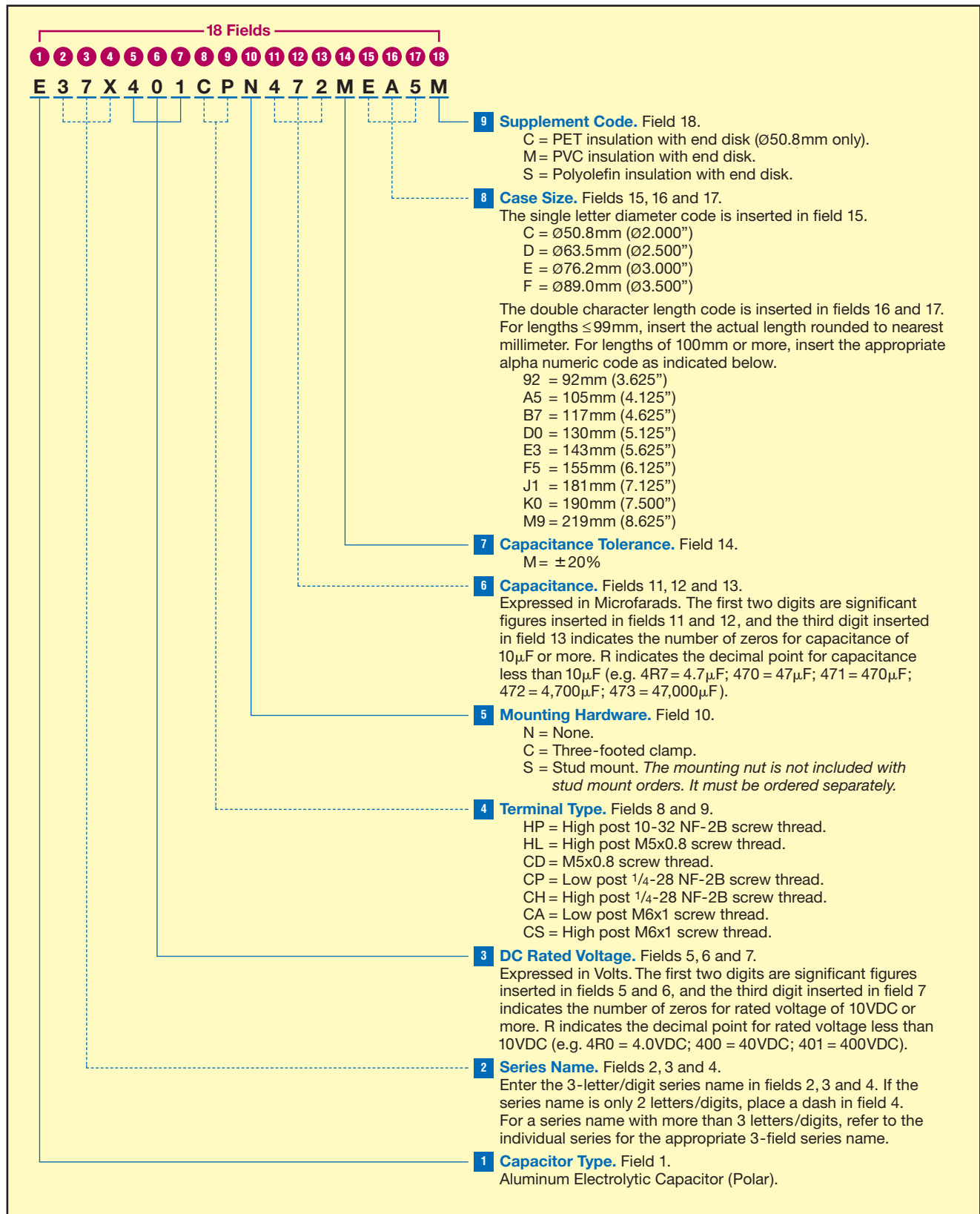
U37L Series

Part Numbering System for U37L Series When ordering, always specify complete 18-field global part number.



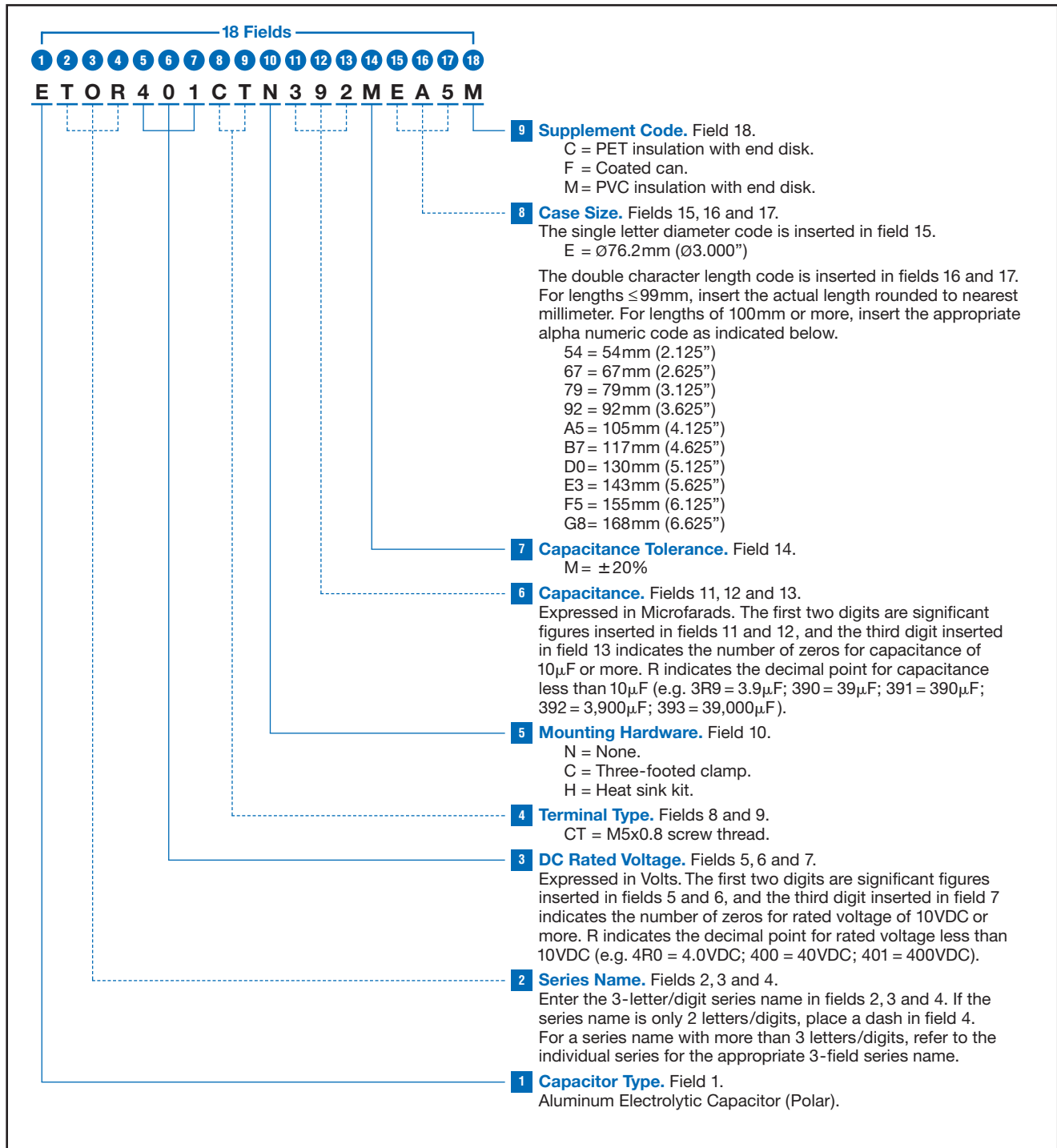
U37X Series

Part Numbering System for U37X Series When ordering, always specify complete 18-field global part number.



UTOR Series

Part Numbering System for UTOR Series When ordering, always specify complete 18-field global part number.



Appendix

Appendix (Part number)

◆ Capacitance code

* How to use the table

2nd	1st
	Cap. Value

Capacitance value part

2nd	1st								
	1	2	3	4	5	6	7	8	9
0	10.0	20.0	30.0	40.0	50.0	60.0	70.0	80.0	90.0
A	10.5	20.5	30.5	40.5	50.5	60.5	70.5	80.5	90.5
1	11.0	21.0	31.0	41.0	51.0	61.0	71.0	81.0	91.0
B	11.5	21.5	31.5	41.5	51.5	61.5	71.5	81.5	91.5
2	12.0	22.0	32.0	42.0	52.0	62.0	72.0	82.0	92.0
C	12.5	22.5	32.5	42.5	52.5	62.5	72.5	82.5	92.5
3	13.0	23.0	33.0	43.0	53.0	63.0	73.0	83.0	93.0
D	13.5	23.5	33.5	43.5	53.5	63.5	73.5	83.5	93.5
4	14.0	24.0	34.0	44.0	54.0	64.0	74.0	84.0	94.0
E	14.5	24.5	34.5	44.5	54.5	64.5	74.5	84.5	94.5
5	15.0	25.0	35.0	45.0	55.0	65.0	75.0	85.0	95.0
F	15.5	25.5	35.5	45.5	55.5	65.5	75.5	85.5	95.5
6	16.0	26.0	36.0	46.0	56.0	66.0	76.0	86.0	96.0
G	16.5	26.5	36.5	46.5	56.5	66.5	76.5	86.5	96.5
7	17.0	27.0	37.0	47.0	57.0	67.0	77.0	87.0	97.0
H	17.5	27.5	37.5	47.5	57.5	67.5	77.5	87.5	97.5
8	18.0	28.0	38.0	48.0	58.0	68.0	78.0	88.0	98.0
J	18.5	28.5	38.5	48.5	58.5	68.5	78.5	88.5	98.5
9	19.0	29.0	39.0	49.0	59.0	69.0	79.0	89.0	99.0
K	19.5	29.5	39.5	49.5	59.5	69.5	79.5	89.5	99.5



For less than 10 μ F, a decimal point position is displayed with R.

For 10 μ F or more, capacitance code is set to the first 2 digits and index (1 digit).

Treatment of fraction (Refer to the table)

Example of conversion

Real cap.	The first 2 digits	Treatment of fraction	Code		
			11th	12th	13th
10.0 μ F →	10.0 →	10.0 →	1	0	0
10.1 μ F →	10.1 →	10.0 →	1	0	0
10.2 μ F →	10.2 →	10.0 →	1	0	0
10.3 μ F →	10.3 →	10.5 →	1	A	0
10.4 μ F →	10.4 →	10.5 →	1	A	0
10.5 μ F →	10.5 →	10.5 →	1	A	0
10.6 μ F →	10.6 →	10.5 →	1	A	0
10.7 μ F →	10.7 →	10.5 →	1	A	0
10.8 μ F →	10.8 →	11.0 →	1	1	0
10.9 μ F →	10.9 →	11.0 →	1	1	0
11.0 μ F →	11.0 →	11.0 →	1	1	0
132 μ F →	13.2 →	13.0 →	1	3	1
133 μ F →	13.3 →	13.5 →	1	D	1
167 μ F →	16.7 →	16.5 →	1	G	1
168 μ F →	16.8 →	17.0 →	1	7	1
1110 μ F →	11.1 →	11.0 →	1	1	2
1340 μ F →	13.4 →	13.5 →	1	D	2
13200 μ F →	13.2 →	13.0 →	1	3	3
13600 μ F →	13.6 →	13.5 →	1	D	3
270000 μ F →	27.0 →	27.0 →	2	7	4

◆ Case length (Radial lead type)

Case length [mm]	16th	17th	Case length [mm]	16th	17th	Case length [mm]	16th	17th	Case length [mm]	16th	17th	Case length [mm]	16th	17th	Case length [mm]	16th	17th
0.0	—	—	1.0	0	1	2.0	0	2	3.0	0	3	4.0	0	4			
0.1	0	B	1.1	1	B	2.1	2	B	3.1	3	B	4.1	4	B			
0.2	0	C	1.2	1	C	2.2	2	C	3.2	3	C	4.2	4	C			
0.3	0	D	1.3	1	D	2.3	2	D	3.3	3	D	4.3	4	D			
0.4	0	E	1.4	1	E	2.4	2	E	3.4	3	E	4.4	4	E			
0.5	0	F	1.5	1	F	2.5	2	F	3.5	3	F	4.5	4	F			
0.6	0	G	1.6	1	G	2.6	2	G	3.6	3	G	4.6	4	G			
0.7	0	H	1.7	1	H	2.7	2	H	3.7	3	H	4.7	4	H			
0.8	0	J	1.8	1	J	2.8	2	J	3.8	3	J	4.8	4	J			
0.9	0	K	1.9	1	K	2.9	2	K	3.9	3	K	4.9	4	K			
5.0	0	5	6.0	0	6	7.0	0	7	8.0	0	8	9.0	0	9			
5.1	5	B	6.1	6	B	7.1	7	B	8.1	8	B	9.1	9	B			
5.2	5	C	6.2	6	C	7.2	7	C	8.2	8	C	9.2	9	C			
5.3	5	D	6.3	6	D	7.3	7	D	8.3	8	D	9.3	9	D			
5.4	5	E	6.4	6	E	7.4	7	E	8.4	8	E	9.4	9	E			
5.5	5	F	6.5	6	F	7.5	7	F	8.5	8	F	9.5	9	F			
5.6	5	G	6.6	6	G	7.6	7	G	8.6	8	G	9.6	9	G			
5.7	5	H	6.7	6	H	7.7	7	H	8.7	8	H	9.7	9	H			
5.8	5	J	6.8	6	J	7.8	7	J	8.8	8	J	9.8	9	J			
5.9	5	K	6.9	6	K	7.9	7	K	8.9	8	K	9.9	9	K			
10.0	1	0	11.0	1	1	12.0	1	2	13.0	1	3	14.0	1	4			
10.1	A	1	11.1	B	1	12.1	C	1	13.1	D	1	14.1	E	1			
10.2	A	2	11.2	B	2	12.2	C	2	13.2	D	2	14.2	E	2			
10.3	A	3	11.3	B	3	12.3	C	3	13.3	D	3	14.3	E	3			
10.4	A	4	11.4	B	4	12.4	C	4	13.4	D	4	14.4	E	4			
10.5	A	5	11.5	B	5	12.5	C	5	13.5	D	5	14.5	E	5			
10.6	A	6	11.6	B	6	12.6	C	6	13.6	D	6	14.6	E	6			
10.7	A	7	11.7	B	7	12.7	C	7	13.7	D	7	14.7	E	7			
10.8	A	8	11.8	B	8	12.8	C	8	13.8	D	8	14.8	E	8			
10.9	A	9	11.9	B	9	12.9	C	9	13.9	D	9	14.9	E	9			

Case length [mm]	16th	17th
15.0	1	5
15.1	F	1
15.2	F	2
15.3	F	3
15.4	F	4
15.5	F	5
15.6	F	6
15.7	F	7
15.8	F	8
15.9	F	9

Case length [mm]	16th	17th
16.0	1	6
16.1	G	1
16.2	G	2
16.3	G	3
16.4	G	4
16.5	G	5
16.6	G	6
16.7	G	7
16.8	G	8
16.9	G	9

Case length [mm]	16th	17th
17.0	1	7
17.1	H	1
17.2	H	2
17.3	H	3
17.4	H	4
17.5	H	5
17.6	H	6
17.7	H	7
17.8	H	8
17.9	H	9

Case length [mm]	16th	17th
18.0	1	8
18.1	J	1
18.2	J	2
18.3	J	3
18.4	J	4
18.5	J	5
18.6	J	6
18.7	J	7
18.8	J	8
18.9	J	9

Case length [mm]	16th	17th
19.0	1	9
19.1	K	1
19.2	K	2
19.3	K	3
19.4	K	4
19.5	K	5
19.6	K	6
19.7	K	7
19.8	K	8
19.9	K	9

Case length [mm]	16th	17th
20.0	2	0
20.5	L	1
21.0	2	1
21.5	L	3
22.0	2	2
22.5	L	5
23.0	2	3
23.5	L	7
24.0	2	4
24.5	L	9
25.0	2	5
25.5	M	1
26.0	2	6
26.5	M	3
27.0	2	7
27.5	M	5
28.0	2	8
28.5	M	7
29.0	2	9
29.5	M	9

Case length [mm]	16th	17th
30.0	3	0
30.5	N	1
31.0	3	1
31.5	N	3
32.0	3	2
32.5	N	5
33.0	3	3
33.5	N	7
34.0	3	4
34.5	N	9
35.0	3	5
35.5	P	1
36.0	3	6
36.5	P	3
37.0	3	7
37.5	P	5
38.0	3	8
38.5	P	7
39.0	3	9
39.5	P	9

Case length [mm]	16th	17th
40.0	4	0
40.5	Q	1
41.0	4	1
41.5	Q	3
42.0	4	2
42.5	Q	5
43.0	4	3
43.5	Q	7
44.0	4	4
44.5	Q	9
45.0	4	5
45.5	R	1
46.0	4	6
46.5	R	3
47.0	4	7
47.5	R	5
48.0	4	8
48.5	R	7
49.0	4	9
49.5	R	9

Case length [mm]	16th	17th
50.0	5	0
50.5	S	1
51.0	5	1
51.5	S	3
52.0	5	2
52.5	S	5
53.0	5	3
53.5	S	7
54.0	5	4
54.5	S	9
55.0	5	5
55.5	T	1
56.0	5	6
56.5	T	3
57.0	5	7
57.5	T	5
58.0	5	8
58.5	T	7
59.0	5	9
59.5	T	9

Case length [mm]	16th	17th
60.0	6	0
60.5	U	1
61.0	6	1
61.5	U	3
62.0	6	2
62.5	U	5
63.0	6	3
63.5	U	7
64.0	6	4
64.5	U	9
65.0	6	5
65.5	V	1
66.0	6	6
66.5	V	3
67.0	6	7
67.5	V	5
68.0	6	8
68.5	V	7
69.0	6	9
69.5	V	9

Case length [mm]	16th	17th
70.0	7	0
70.5	W	1
71.0	7	1
71.5	W	3
72.0	7	2
72.5	W	5
73.0	7	3
73.5	W	7
74.0	7	4
74.5	W	9
75.0	7	5
75.5	X	1
76.0	7	6
76.5	X	3
77.0	7	7
77.5	X	5
78.0	7	8
78.5	X	7
79.0	7	9
79.5	X	9

Case length [mm]	16th	17th
80.0	8	0
80.5	Y	1
81.0	8	1
81.5	Y	3
82.0	8	2
82.5	Y	5
83.0	8	3
83.5	Y	7
84.0	8	4
84.5	Y	9
85.0	8	5
85.5	Z	1
86.0	8	6
86.5	Z	3
87.0	8	7
87.5	Z	5
88.0	8	8
88.5	Z	7
89.0	8	9
89.5	Z	9

◆Case length (Snap-in type / Screw mount terminal type)

Case length [mm]	16th	17th
20	2	0
21	2	1
22	2	2
23	2	3
24	2	4
25	2	5
26	2	6
27	2	7
28	2	8
29	2	9

Case length [mm]	16th	17th
30	3	0
31	3	1
32	3	2
33	3	3
34	3	4
35	3	5
36	3	6
37	3	7
38	3	8
39	3	9

Case length [mm]	16th	17th
40	4	0
41	4	1
42	4	2
43	4	3
44	4	4
45	4	5
46	4	6
47	4	7
48	4	8
49	4	9

Case length [mm]	16th	17th
50	5	0
51	5	1
52	5	2
53	5	3
54	5	4
55	5	5
56	5	6
57	5	7
58	5	8
59	5	9

Case length [mm]	16th	17th
60	6	0
61	6	1
62	6	2
63	6	3
64	6	4
65	6	5
66	6	6
67	6	7
68	6	8
69	6	9

Case length [mm]	16th	17th
70	7	0
71	7	1
72	7	2
73	7	3
74	7	4
75	7	5
76	7	6
77	7	7
78	7	8
79	7	9

Case length [mm]	16th	17th
80	8	0
81	8	1
82	8	2
83	8	3
84	8	4
85	8	5
86	8	6
87	8	7
88	8	8
89	8	9

Case length [mm]	16th	17th
90	9	0
91	9	1
92	9	2
93	9	3
94	9	4
95	9	5
96	9	6
97	9	7
98	9	8
99	9	9

Case length [mm]	16th	17th
100	A	0
101	A	1
102	A	2
103	A	3
104	A	4
105	A	5
106	A	6
107	A	7
108	A	8
109	A	9

Case length [mm]	16th	17th
110	B	0
111	B	1
112	B	2
113	B	3
114	B	4
115	B	5
116	B	6
117	B	7
118	B	8
119	B	9

Case length [mm]	16th	17th
120	C	0
121	C	1
122	C	2
123	C	3
124	C	4
125	C	5
126	C	6
127	C	7
128	C	8
129	C	9

Case length [mm]	16th	17th
130	D	0
131	D	1
132	D	2
133	D	3
134	D	4
135	D	5
136	D	6
137	D	7
138	D	8
139	D	9

Case length [mm]	16th	17th
140	E	0
141	E	1
142	E	2
143	E	3
144	E	4
145	E	5
146	E	6
147	E	7
148	E	8
149	E	9

Case length [mm]	16th	17th
150	F	0
151	F	1
152	F	2
153	F	3
154	F	4
155	F	5
156	F	6
157	F	7
158	F	8
159	F	9

Case length [mm]	16th	17th
160	G	0
161	G	1
162	G	2
163	G	3
164	G	4
165	G	5
166	G	6
167	G	7
168	G	8
169	G	9

Case length [mm]	16th	17th
170	H	0
171	H	1
172	H	2
173	H	3
174	H	4
175	H	5
176	H	6
177	H	7
178	H	8
179	H	9

Case length [mm]	16th	17th
180	J	0
181	J	1
182	J	2
183	J	3
184	J	4
185	J	5
186	J	6
187	J	7
188	J	8
189	J	9

Case length [mm]	16th	17th
190	K	0
191	K	1
192	K	2
193	K	3
194	K	4
195	K	5
196	K	6
197	K	7
198	K	8
199	K	9

Case length [mm]	16th	17th
200	L	0
201	L	1
202	L	2
203	L	3
204	L	4
205	L	5
206	L	6
207	L	7
208	L	8
209	L	9

Case length [mm]	16th	17th
210	M	0
211	M	1
212	M	2
213	M	3
214	M	4
215	M	5
216	M	6
217	M	7
218	M	8
219	M	9

Case length [mm]	16th	17th
220	N	0
221	N	1
222	N	2
223	N	3
224	N	4
225	N	5
226	N	6
227	N	7
228	N	8
229	N	9

Case length [mm]	16th	17th
230	P	0
231	P	1
232	P	2
233	P	3
234	P	4
235	P	5
236	P	6
237	P	7
238	P	8
239	P	9

Case length [mm]	16th	17th
240	Q	0
241	Q	1
242	Q	2
243	Q	3
244	Q	4
245	Q	5
246	Q	6
247	Q	7
248	Q	8
249	Q	9

Case length [mm]	16th	17th
250	R	0
251	R	1
252	R	2
253	R	3
254	R	4
255	R	5
256	R	6
257	R	7
258	R	8
259	R	9

◆ Supplement code

Conductive polymer Chip and Radial lead type / Electrolytic Chip type

	Terminal plating material	
	Sn	Sn-Bi
Coating case	S	G

Radial lead type / Snap-in type

		Terminal plating material	
		Sn	Sn-Bi
Outer sleeve	PET	S	D
	Coating case	H	G
	Polyolefin	L	-
	Pb-free PVC	M	-

* Standard design of "environmental friendly" snap-in are not equipped with a plastic disk on the top of the can case.
 We also produce snap-in type with "Plastic disk, PVC sleeve and Sn terminal plating".
 In this case, supplement code (the 18th digit) is "T".

Screw mount terminal type

	Screw terminal
Pb-free PVC	M
Polyolefin	S
PET	C