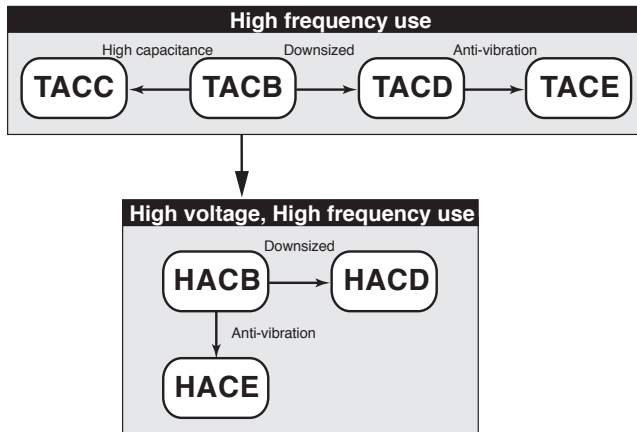




Series	Major uses	Rated voltage range	Rated Capacitance range (μF)	Category temperature range (°C)	Page
TACE	High frequency use, metallized polypropylene film. Permissible large current and anti-vibration	250 to 1000 V _{dc}	0.47 to 22	-40 to +105	8
TACD	High frequency use, metallized polypropylene film. Standard type (Downsizing of TACB series)	250 to 1000 V _{dc}	0.033 to 22	-40 to +105	9
TACC	High frequency use, metallized polypropylene film. Large capacitance type of TACB series	450 to 1000 V _{dc}	1.0 to 18	-40 to +105	12
TACB	High frequency use, metallized polypropylene film.	250 to 800 V _{dc}	0.033 to 22	-40 to +105	13
HACE	High frequency use, metallized polypropylene film. High voltage type and anti-vibration	630 to 2000 V _{dc}	0.18 to 1.5	-40 to +105	16
HACD	High frequency use, metallized polypropylene film. High voltage type of TACD series (Downsizing of HACB series)	630 to 4000 V _{dc}	0.0033 to 1.5	-40 to +105	17
HACB	High frequency use, metallized polypropylene film. High voltage type of TACB series	630 to 4000 V _{dc}	0.001 to 1.2	-40 to +105	20

◆Metallized polypropylene film capacitors



Manufacturer change

All products featured in this catalog, which were manufactured by NIPPON CHEMI-CON CORPORATION, are now manufactured by TAITSU CORPORATION, and have been since April 2024.

Please note that only the manufacturer's brand mark will change, and that the product specifications, parts numbers, etc. will remain the same.

Please contact us for full details regarding the change.

Thank you in advance for your continued custom of our film capacitors.